

**Operating Manual**  
**CCD Camera Models**  
**ST-7E, ST-8E, ST-9E, ST-10E**  
**and ST-1001E**

**Santa Barbara Instrument Group**  
147A Castilian Drive  
Santa Barbara, CA 93117  
Phone (805) 571-7244 • Fax (805) 571-1147  
Web:<[www.sbig.com](http://www.sbig.com)> • Email:<[sbig@sbig.com](mailto:sbig@sbig.com)>

Note: This equipment has been tested and found to comply with the limits for a Class B digital device pursuant to Part 15 of the FCC Rules. These limits are designed to provide reasonable protection against harmful interference in a residential installation. This equipment generates, uses, and can radiate radio frequency energy and if not installed and used in accordance with the instructions, may cause harmful interference to radio communications. However, there is no guarantee that interference will not occur in a particular installation. If this equipment does cause harmful interference to radio or television reception, which can be determined by turning the equipment off and on, the user is encouraged to try to correct the interference by one or more of the following measures:

- Reorient or relocate the receiving antenna.
- Increase the separation between the receiver and the equipment.
- Connect the equipment into an outlet on a circuit different from that to which the receiver is connected.
- Consult the dealer or an experienced radio/TV technician for help.

Shielded I/O cables must be used when operating this equipment.

You are also warned, that any changes to this certified device will void your legal right to operate it.

## Table of Contents

<b>1.</b>	<b>Introduction .....</b>	<b>1</b>
1.1.	Road Map of the Documentation .....	1
1.2.	Quick Tour.....	1
1.2.1.	CCDOPS Software .....	2
1.2.2.	CCD Camera .....	3
<b>2.</b>	<b>Introduction to CCD Cameras.....</b>	<b>5</b>
2.1.	Cameras in General .....	5
2.2.	How CCD Detectors Work .....	5
2.2.1.	Full Frame and Frame Transfer CCDs.....	6
2.3.	Camera Hardware Architecture .....	6
2.4.	CCD Special Requirements.....	8
2.4.1.	Cooling.....	8
2.4.2.	Double Correlated Sampling Readout .....	9
2.4.3.	Dark Frames .....	9
2.4.4.	Flat Field Images .....	10
2.4.5.	Pixels vs. Film Grains .....	10
2.4.6.	Guiding.....	11
2.5.	Electronic Imaging.....	12
2.6.	Black and White vs. Color.....	13
<b>3.</b>	<b>At the Telescope with a CCD Camera.....</b>	<b>15</b>
3.1.	Step by Step with a CCD Camera .....	15
3.2.	Attaching the Camera to the Telescope .....	15
3.3.	Establishing a Communications Link .....	16
3.4.	Focusing the CCD Camera .....	16
3.5.	Finding and Centering the Object .....	18
3.6.	Taking an Image .....	18
3.7.	Displaying the Image .....	18
3.8.	Processing the Image.....	19
3.9.	Advanced Capabilities .....	19
3.9.1.	Crosshairs Mode (Photometry and Astrometry) .....	19
3.9.2.	Sub-Frame Readout in Focus .....	19
3.9.3.	Track and Accumulate.....	20
3.9.4.	Autoguiding and Self Guiding .....	20
3.9.5.	Auto Grab .....	21
3.9.6.	Color Imaging .....	21
<b>4.</b>	<b>Camera Hardware .....</b>	<b>23</b>
4.1.	System Components.....	23
4.2.	Connecting the Power .....	23
4.3.	Connecting to the Computer .....	23
4.4.	Connecting the Relay Port to the Telescope .....	23
4.4.1	Using Mechanical Relays .....	24
4.5.	Modular Family of CCD Cameras .....	26

4.6	Connecting the older model CFW-6 filter wheel to the Camera .....	30
4.7	Battery Operation .....	31
4.8	ST-1001E Differences .....	31
<b>5.</b>	<b>Advanced Imaging Techniques .....</b>	<b>33</b>
5.1.	Lunar and Planetary Imaging.....	33
5.2.	Deep Sky Imaging .....	33
5.3.	Terrestrial Imaging .....	33
5.4.	Taking a Good Flat Field .....	33
5.5.	Building a Library of Dark Frames .....	34
5.6.	Changing the Camera Resolution .....	34
5.7.	Flat Fielding Track and Accumulate Images.....	35
5.8.	Tracking Functions .....	36
<b>6.</b>	<b>Accessories for your CCD Camera.....</b>	<b>39</b>
6.1.	Cooling Booster.....	39
6.2.	Tri-color Imaging.....	40
6.3.	Camera Lens Adapters and Eyepiece Projection .....	40
6.4.	Focal Reducers .....	40
6.5.	AO-7 and Lucy-Richardson Software .....	41
6.6.	SGS - Self-Guided Spectrograph.....	41
6.7.	Third Party Products and Services.....	41
	6.7.1. Windows Software.....	41
	6.7.2. Image Processing Software .....	41
	6.7.3. Getting Hardcopy .....	41
6.8.	SBIG Technical Support.....	42
<b>7.</b>	<b>Common Problems .....</b>	<b>43</b>
<b>8.</b>	<b>Glossary.....</b>	<b>45</b>
<b>A.</b>	<b>Appendix A - Connector ad Cables .....</b>	<b>49</b>
A.1.	Appendix A - Connector Pinouts.....	49
A.2.	SBIG Tracking Interface Cable (TIC-78).....	49
<b>B.</b>	<b>Appendix C - Maintenance .....</b>	<b>51</b>
B.1.	Cleaning the CCD and the Window .....	51
B.2.	Regenerating the Desiccant.....	51
<b>C.</b>	<b>Appendix C - Capturing a Good Flat Field.....</b>	<b>53</b>
C.1.	Technique 53	

## Section 1 - Introduction

### 1. Introduction

Congratulations and thank you for buying one of Santa Barbara Instrument Group's CCD cameras. The model ST-7E, ST-8E, ST-9E, ST-10E and ST-1001E are SBIG's fourth generation CCD cameras and represent the state of the art in CCD camera systems with their low noise and advanced capabilities, including Kodak's new Blue Enhanced E series of CCDs. We feel that these cameras will expand your astronomy experience by being able to easily take images like the ones you've seen in books and magazines, of structure never seen through the eyepiece. SBIG CCD cameras offer convenience, high sensitivity, and advanced image processing techniques that film just can't match. While CCDs will probably never replace film in its large format, CCDs allow a wide range of scientific measurements and have established a whole new field of amateur astronomy that is growing by leaps and bounds.

The ST-7E, ST-8E, ST-9E and ST-10E cameras include an exciting new feature: self-guiding (US Patent 5,525,793). These cameras have two CCDs inside; one for guiding and a large one for imaging. The low noise of the read out electronics virtually guarantees that a usable guide star will be within the field of the guiding CCD for telescopes with F/numbers F/6.3 or faster. The relay output plugs directly into most recent commercial telescope drives. As a result, you can take hour long guided exposures with ease, with no differential deflection of guide scope relative to main telescope, and no radial guider setup hassles, all from the computer keyboard. This capability, coupled with the phenomenal sensitivity of the CCD, will allow the user to acquire observatory class images of deep sky images with modest apertures! The technology also makes image stabilization possible through our AO-7, or self-guided spectroscopy with our SGS. Due to the large size of the imaging CCD, The ST-10E camera does not have a second CCD in the head for self-guiding. For this camera we recommend a separate autoguider like the STV.

#### 1.1. Road Map of the Documentation

This manual describes the ST-7E, ST-8E, ST-9E, ST-10E and ST-1001E CCD Camera Systems from Santa Barbara Instrument Group. For users new to the field of CCD Astronomy, Sections 2, 3 and 4 offer introductory material about CCD Cameras and their applications in Astronomy. Users who are familiar with CCD cameras may wish to skip section 2 and browse through sections 3 and 4, reading any new material.

Thoroughly experienced SBIG customers may wish to jump right to the separate Software Manual, which gives detailed and specific information about the SBIG software. Sections 5 and 6 offer hints and information about advanced imaging techniques and accessories for CCD imaging that you may wish to read after your initial telescope use of the CCD camera. Finally, section 7 may be helpful if you experience problems with your camera, and the Appendices provide a wealth of technical information about these systems.

#### 1.2. Quick Tour

This section is a quick guided tour of the CCD Camera System you have just purchased. If you're like most people you want to get started right away and dispense with the manual. Use this section as a guide for learning about your new system.

## **Section 1 - Introduction**

### **1.2.1. CCDOPS Software**

Follow the instructions below to run the CCDOPS software and display and process sample images included on the distribution diskette.

- Install the software onto your hard disk. For Windows this involves running the Setup.exe file on the first diskette. For Macintosh or DOS this involves copying the contents of the floppy disk to a folder or directory on your hard disk.

#### **CCDOPS for Windows or Macintosh**

- Double-click on the CCDOPS icon to launch the program.
- Use the Open command in the File menu to load one of the sample images. A window showing the exposure time, etc. will appear. Click in it to make it disappear. The image will show up in its own window.
- Try using the crosshairs. Use the Crosshairs command in the Display menu. Use the mouse to move the crosshair around in the image and see the pixel values.
- Close the crosshairs and try inverting the image. Click the Invert item in the Contrast window.
- Try the photo display mode. Use the Photo Mode command in the Display menu. Click the mouse to return to the menus.
- Load up the other sample images and display them using the photo display mode. You have to close any existing image first.
- If you find that the display is too dark or bright, try setting Auto Contrast in the Contrast window or adjust the background and range parameters to achieve the best display. You may have to hit the Apply button in the Contrast window to see changes in the Background and Range

#### **CCDOPS for DOS**

- You should make the CCDOPS floppy or directory the active directory, then give DOS the CCDOPS command.
- Use the Open command in the File menu to load one of the sample images.
- Use the Image command in the Display menu to display the image.
- Try using the crosshairs. Hit the 'X' key. Use the mouse or arrow keys to move the crosshair around in the image and see the pixel values.
- Quit the crosshairs and try inverting the image. Hit the Esc key to quit the Crosshairs mode, then hit the 'N' key.
- Try the photo display mode. Exit the display mode by hitting the Esc key and then use the Display Image command again, this time selecting the Photo Display mode instead of the Analysis mode.

## Section 1 - Introduction

- Load up the other sample images and display them using the photo display mode.
- If you find that the display is too dark or bright, try setting Auto Contrast in the display menu or adjust the background and range parameters to achieve the best display. Usually your monitor brightness and contrast want to be set fairly high.

**Note:** *Full daylight at F/22 will saturate these cameras with the shortest exposure. With a camera lens start out in dim room light. For full sunlight you will need a neutral density filter.*

### 1.2.2. CCD Camera

Unfortunately there really aren't many shortcuts you can take when using the CCD camera to capture images. The instructions below refer you to various sections of the manual.

- Insert the CCD Camera into the telescope and focus on a star (refer to Sections 3.2 and 3.3).
- Find some relatively bright object like M51, the Ring Nebula (M57) or the Dumbbell Nebula (M27) (refer to section 3.5).
- Take a 1 minute exposure using the Grab command with the Dark frame option set to Also (refer to Section 3.6).
- Display the image (refer to Section 3.7).
- Process the image (refer to Section 3.8).

If you happen to have purchased a camera lens adapter for your CCD Camera you can use that to take images in the daytime. Additionally you could make a small pinhole aperture out of a piece of aluminum foil after wrapping it around the camera's nosepiece.

- Shut down the F stop all the way to F/16 or F/22.
- Set the focus based upon the object and the markings on the lens.
- Take a 1 second exposure with the Grab command.
- Display the image (refer to Section 3.7).
- Process the image (refer to Section 3.8).





## Section 2 - Introduction to CCD Cameras

### 2. Introduction to CCD Cameras

This section introduces new users to CCD (Charge Coupled Device) cameras and their capabilities and to the field of CCD Astronomy and Electronic Imaging.

#### 2.1. Cameras in General

The CCD is very good at the most difficult astronomical imaging problem: imaging small, faint objects. For such scenes long film exposures are typically required. The CCD based system has several advantages over film: greater speed, quantitative accuracy, ability to increase contrast and subtract sky background with a few keystrokes, the ability to co-add multiple images without tedious dark room operations, wider spectral range, and instant examination of the images at the telescope for quality. Film has the advantages of a much larger format, color, and independence of the wall plug (the SBIG family of cameras can be battery operated in conjunction with a laptop computer, though, using a power inverter). After some use you will find that film is best for producing sensational large area color pictures, and the CCD is best for planets, small faint objects, and general scientific work such as variable star monitoring and position determination.

#### 2.2. How CCD Detectors Work

The basic function of the CCD detector is to convert an incoming photon of light to an electron which is stored in the detector until it is read out, thus producing data which your computer can display as an image. It doesn't have to be displayed as an image. It could just as well be displayed as a spreadsheet with groups of numbers in each cell representing the number of electrons produced at each pixel. These numbers are displayed by your computer as shades of gray for each pixel site on your screen thus producing the image you see. How this is accomplished is eloquently described in a paper by James Janesick and Tom Elliott of the Jet Propulsion Laboratory:

"Imagine an array of buckets covering a field. After a rainstorm, the buckets are sent by conveyor belts to a metering station where the amount of water in each bucket is measured. Then a computer would take these data and display a picture of how much rain fell on each part of the field. In a CCD the "raindrops" are photons, the "buckets" the pixels, the "conveyor belts" the CCD shift registers and the "metering system" an on-chip amplifier.

Technically speaking the CCD must perform four tasks in generating an image. These functions are 1) charge generation, 2) charge collection, 3) charge transfer, and 4) charge detection. The first operation relies on a physical process known as the photoelectric effect - when photons or particles strikes certain materials free electrons are liberated...In the second step the photoelectrons are collected in the nearest discrete collecting sites or pixels. The collection sites are defined by an array of electrodes, called gates, formed on the CCD. The third operation, charge transfer, is accomplished by manipulating the voltage on the gates in a systematic way so the signal electrons move down the vertical registers from one pixel to the next in a conveyor-belt like fashion. At the end of each column is a horizontal register of pixels. This register collects a line at a time and then

## Section 2 - Introduction to CCD Cameras

transports the charge packets in a serial manner to an on-chip amplifier. The final operating step, charge detection, is when individual charge packets are converted to an output voltage. The voltage for each pixel can be amplified off-chip and digitally encoded and stored in a computer to be reconstructed and displayed on a television monitor."<sup>1</sup>

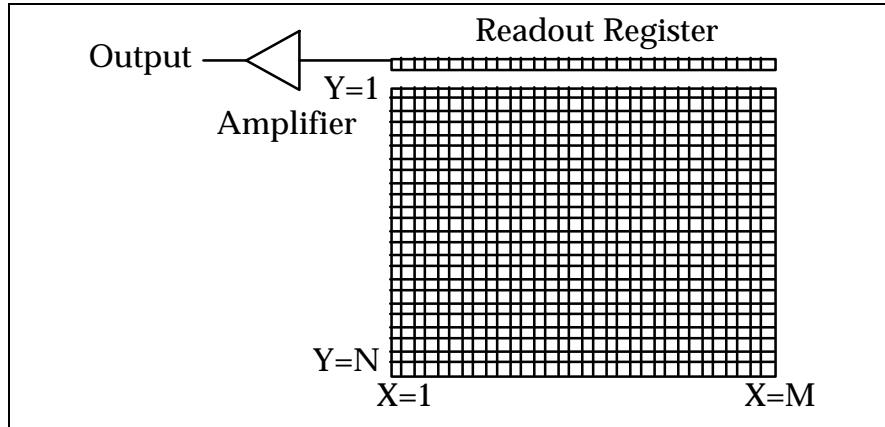


Figure 2.1 - CCD Structure

### 2.2.1. Full Frame and Frame Transfer CCDs

In the ST-7E, ST-8E, ST-9E, ST-10E and ST-1001E, the CCD is read out electronically by shifting each row of pixels into a readout register at the  $Y=0$  position of the CCD (shown in Figure 2.1), and then shifting the row out through an amplifier at the  $X=0$  position. The entire array shifts up one row when a row is shifted into the readout register, and a blank row is inserted at the bottom. The electromechanical shutter built into the camera covers the CCD during the readout to prevent streaking of the image. Without a shutter the image would be streaked due to the fact that the pixels continue to collect light as they are being shifted out towards the readout register. CCDs with a single active area are called Full Frame CCDs.

For reference, the ST-5C, ST-237, STV and ST-6 CCD cameras use a different type of CCD which is known as a Frame Transfer CCD. In these devices all active pixels are shifted very quickly into a pixel array screened from the light by a metal layer, and then read out. This makes it possible to take virtually streak-free images without a shutter. This feature is typically called an *electronic shutter*.

### 2.3. Camera Hardware Architecture

This section describes the ST-7E, ST-8E, ST-9E, ST-10E and ST-1001E<sup>2</sup> CCD cameras from a systems standpoint. It describes the elements that comprise a CCD camera and the functions they provide. Please refer to Figure 2.2 below as you read through this section.

<sup>1</sup> "History and Advancements of Large Area Array Scientific CCD Imagers", James Janesick, Tom Elliott. Jet Propulsion Laboratory, California Institute of Technology, CCD Advanced Development Group.

<sup>2</sup> The ST-1001E does not have a second CCD for tracking.

## Section 2 - Introduction to CCD Cameras

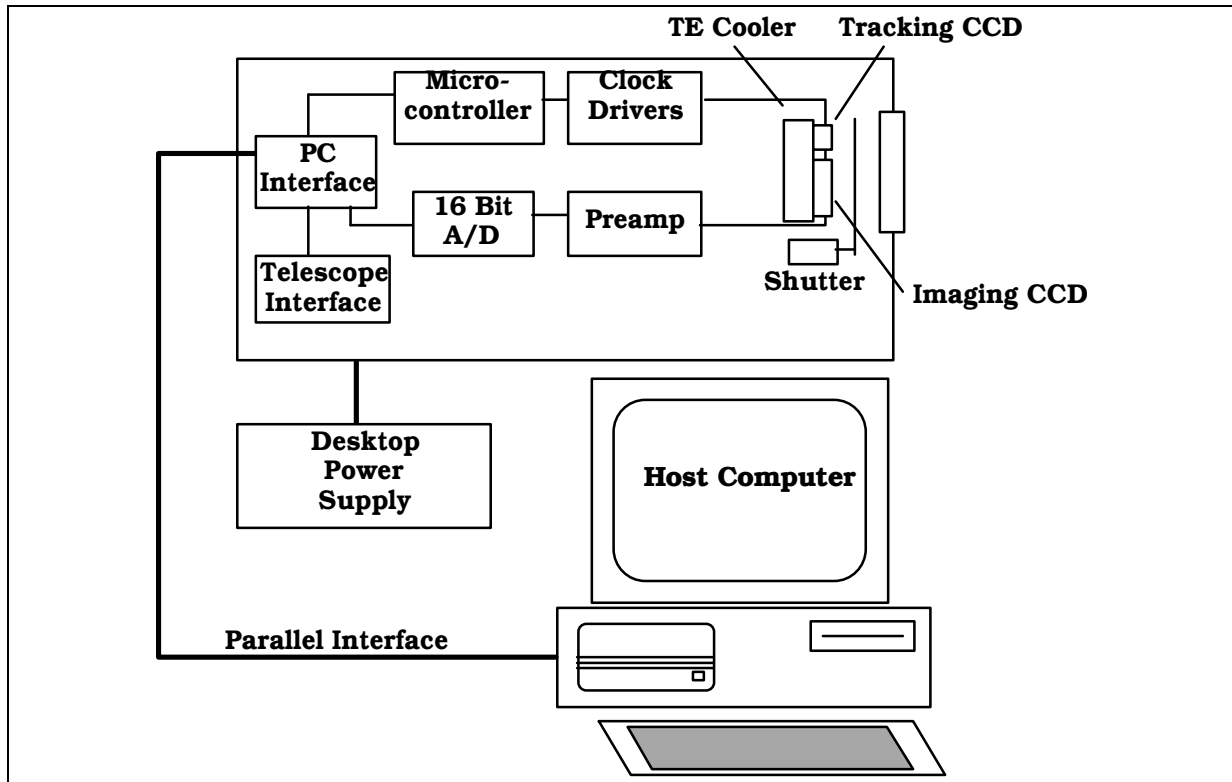


Figure 2.2 - CCD System Block Diagram

As you can see from Figure 2.2, the ST-7E, ST-8E, ST-9E, ST-10E and ST-1001E are completely self contained. Unlike our previous products, the ST-7E, ST-8E, ST-9E, ST-10E and ST-1001E contain all the electronics in the optical head. There is no external CPU like the ST-5C, ST-237, ST-6 and STV.

At the "front end" of any CCD camera is the CCD sensor itself. As we have already learned, CCDs are a solid state image sensor organized in a rectangular array of regularly spaced rows and columns. The ST-7E, ST-8E, ST-9E and ST-10E use two CCDs, one for imaging (Kodak KAF series) and one for tracking (TI TC211, like the ST-4/4X). Table 2.1 below lists some interesting aspects of the CCDs used in the various SBIG cameras.

Camera	CCD	Array Dimensions	Number of Pixels	Pixel Sizes
Tracking CCD	TC211	2.6 x 2.6 mm	192 x 164	13.75 x 16 $\mu$
ST-5C	TC255	3.2 x 2.4 mm	320 x 240	10 x 10 $\mu$
ST-237	TC237	4.7 x 3.6 mm	640 x 480	7.4 x 7.4 $\mu$
STV	TC237	4.7 x 3.0 mm	320 x 200	14.8 x 14.8 $\mu$
ST-6	TC241	8.6 x 6.5 mm	375 x 242	23 x 27 $\mu$
ST-7E	KAF0401E	6.9 x 4.6 mm	765 x 510	9 x 9 $\mu$
ST-8E	KAF1602E	13.8 x 9.2 mm	1530 x 1020	9 x 9 $\mu$
ST-9E	KAF0261E	10.2 x 10.2 mm	512 x 512	20 x 20 $\mu$
ST-10E	KAF3200E	14.9 x 10.0 mm	2184 x 1472	6.8 x 6.8 $\mu$
ST-1001E	KAF1001E	24.6 x 24.6 mm	1024 x 1024	24 x 24 $\mu$

Table 2.1 - Camera CCD Configurations

## **Section 2 - Introduction to CCD Cameras**

The CCD is cooled with a solid-state a thermoelectric (TE) cooler. The TE cooler pumps heat out of the CCD and dissipates it into a heat sink which forms part of the optical head's mechanical housing. In the ST-7E and ST-8E cameras this waste heat is dumped into the air using passive radiators and a small fan, making the design and operation of the heads simple and not inconvenienced by requirements for liquid recirculation cooling. The ST-9E and ST-10E include SBIG's secondary TE/Liquid cooling booster.

Since the CCD is cooled below 0°C, some provision must be made to prevent frost from forming on the CCD. The ST-7E, ST-8E, ST-9E, ST-10E and ST-1001E have the CCD/TE Cooler mounted in a windowed hermetic chamber sealed with an O-Ring. The hermetic chamber does not need to be evacuated, another "ease of use" feature we employ in the design of our cameras. Using a rechargeable desiccant in the chamber keeps the humidity low, forcing the dew point below the cold stage temperature.

Other elements in the self contained ST-7E, ST-8E, ST-9E, ST-10E and ST-1001E include the preamplifier and an electromechanical shutter. The shutter makes taking dark frames a simple matter of pushing a button on the computer and provides streak-free readout. Timing of exposures in ST-7E, ST-8E, ST-9E, ST-10E and ST-1001E cameras is controlled by this shutter.

The Clock Drivers and Analog to Digital Converter interface to the CCD. The Clock Drivers convert the logic-level signals from the microcontroller to the voltage levels and sequences required by the CCD. Clocking the CCD transfers charge in the array and is used to clear the array or read it out. The Analog to Digital Converter (A/D) digitizes the data in the CCD for storage in the Host Computer.

The microcontroller is used to regulate the CCD's temperature by varying the drive to the TE cooler. The external Power Supply provides +5V and ±12V to the cameras. Finally, the cameras contain a TTL level telescope interface port to control the telescope and the optional CFW-6A motorized color filter wheel.

Although not part of the CCD Camera itself, the Host Computer and Software are an integral part of the system. SBIG provides software for the ST-7E, ST-8E, ST-9E, ST-10E and ST-1001E cameras for the IBM PC and Compatible computers (all cameras, DOS and Windows) and the ST-7E/8E are also supported by the Macintosh. The software allows image acquisition, image processing, and auto guiding with ease of use and professional quality. Many man-years and much customer feedback have gone into the SBIG software and it is unmatched in its capabilities.

### **2.4. CCD Special Requirements**

This section describes the unique features of CCD cameras and the special requirements that CCD systems impose.

#### **2.4.1. Cooling**

Random readout noise and noise due to dark current combine to place a lower limit on the ability of the CCD to detect faint light sources. SBIG has optimized the ST-7E, ST-8E, ST-9E, ST-10E and ST-1001E to achieve readout noises below 20 electrons rms for two reads (light - dark). This will not limit most users. The noise due to the dark current is equal to the square root of the number of electrons accumulated during the integration time. For these cameras, the dark current is not significant until it accumulates to more than 280 electrons. Dark current is thermally generated in the device itself, and can be reduced by cooling. All CCDs have dark

## Section 2 - Introduction to CCD Cameras

current, which can cause each pixel to fill with electrons in only a few seconds at room temperature even in the absence of light. By cooling the CCD, the dark current and corresponding noise is reduced, and longer exposures are possible. In fact, for roughly every 5 to 6° C of additional cooling, the dark current in the CCD is reduced to half. The ST-7E and ST-8E have a single stage TE cooler and a temperature sensing thermistor on the CCD mount to monitor the temperature. The ST-1001E has two-stage cooling. The ST-9E and ST-10E have a supplemental second stage cooling booster with water cooling as an option (described in section 6.1). The same cooling booster used on the ST-9E and ST-10E may be added to the ST-7E, ST-8E or ST-1001E. The microcontroller controls the temperature at a user-determined value for long periods. As a result, exposures hours long are possible, and saturation of the CCD by the sky background typically limits the exposure time. At 0 °C the dark current in the ST-7E, ST-8E and ST-10E, high-resolution mode, is only 60 electrons per minute! The ST-1001E and ST-9E, with bigger pixels, have roughly 8 to 15 times this amount of dark current, respectively, due largely to the larger pixel area but also due to the inherent higher bulk dark current in the devices. That's why we include the cooling booster with the ST-9E and two-stage cooling plus the option of an additional cooling booster for the ST-1001E.

The sky background conditions also increase the noise in images, and in fact, as far as the CCD is concerned, there is no difference between the noise caused by dark current and that from sky background. If your sky conditions are causing photoelectrons to be generated at the rate of 100 e<sup>-</sup>/pixel/sec, for example, increasing the cooling beyond the point where the dark current is roughly half that amount will not improve the quality of the image. This very reason is why deep sky filters are so popular with astrophotography. They reduce the sky background level, increasing the contrast of dim objects. They will improve CCD images from very light polluted sights.

### 2.4.2. Double Correlated Sampling Readout

During readout, the charge stored in a pixel is stored temporarily on a capacitor. This capacitor converts the optically generated charge to a voltage level for the output amplifier to sense. When the readout process for the previous pixel is completed, the capacitor is drained and the next charge shifted, read, and so on. However, each time the capacitor is drained, some residual charge remains.

This residual charge is actually the dominant noise source in CCD readout electronics. This residual charge may be measured before the next charge is shifted in, and the actual difference calculated. This is called double correlated sampling. It produces more accurate data at the expense of slightly longer read out times (two measurements are made instead of one). The ST-7E, ST-8E, ST-9E, ST-10E and ST-1001E utilize double correlated sampling to produce the lowest possible readout noise. At 11e<sup>-</sup> to 16e<sup>-</sup> rms per read these cameras are unsurpassed in performance.

### 2.4.3. Dark Frames

No matter how much care is taken to reduce all sources of unwanted noise, some will remain. Fortunately, however, due to the nature of electronic imaging and the use of computers for storing and manipulating data, this remaining noise can be drastically reduced by the subtraction of a dark frame from the raw light image. A dark frame is simply an image taken

## Section 2 - Introduction to CCD Cameras

at the same temperature and for the same duration as the light frame with the source of light to the CCD blocked so that you get a "picture" of the dark. This dark frame will contain an image of the noise caused by dark current (thermal noise) and other fixed pattern noise such as read out noise. When the dark frame is subtracted from the light frame, this pattern noise is removed from the resulting image. The improvement is dramatic for exposures of more than a minute, eliminating the many "hot" pixels one often sees across the image, which are simply pixels with higher dark current than average.

### 2.4.4. Flat Field Images

Another way to compensate for certain unwanted optical effects is to take a "flat field image" and use it to correct for variations in pixel response uniformity across the area of your dark-subtracted image. You take a flat field image of a spatially uniform source and use the measured variations in the flat field image to correct for the same unwanted variations in your images. The Flat Field command allows you to correct for the effects of vignetting and nonuniform pixel responsivity across the CCD array.

The Flat Field command is very useful for removing the effects of vignetting that may occur when using a field compression lens and the fixed pattern responsivity variations present in all CCDs. It is often difficult to visually tell the difference between a corrected and uncorrected image if there is little vignetting, so you must decide whether to take the time to correct any or all of your dark-subtracted images. It is always recommended for images that are intended for accurate photometric measurements.

Appendix D describes how to take a good flat field. It's not that easy, but we have found a technique that works well for us.

### 2.4.5. Pixels vs. Film Grains

Resolution of detail is determined, to a certain degree, by the size of the pixel in the detector used to gather the image, much like the grain size in film. The pixel size of the detector in the ST-10E is 6.8 x 6.8 microns (1 micron = 0.001mm, 0.04 thousandths of an inch). In the ST-7E and ST-8E it is 9 x 9 microns, in the ST-9E it's 20 x 20 microns and in the ST-1001E it is 24 x 24 microns. However, the effects of seeing are usually the limiting factor in any good photograph or electronic image. On a perfect night with excellent optics an observer might hope to achieve sub-arcsecond seeing in short exposures, where wind vibration and tracking error are minimal. With the average night sky and good optics, you will be doing well to achieve stellar images in a long exposure of 3 to 6 arcseconds halfwidth. This will still result in an attractive image, though.

Using an ST-7E or ST-8E camera with their 9 micron pixels, an 8" f/10 telescope will produce a single pixel angular subtense of 0.9 arcsecond. An 8" f/4 telescope will produce images of 2.5 arcseconds per pixel. If seeing affects the image by limiting resolution to 6 arcseconds, you would be hard pressed to see any resolution difference between the two focal lengths as you are mostly limited by the sky conditions. However, the f/4 image would have a larger field of view and more faint detail due to the faster optic. The ST-9, with its 20 micron pixels would have the same relationship at roughly twice the focal length or a 16 inch f/10 telescope. See table 4.4 for further information.

A related effect is that, at the same focal length, larger pixels collect more light from nebular regions than small ones, reducing the noise at the expense of resolution. While many

## Section 2 - Introduction to CCD Cameras

people think that smaller pixels are a plus, you pay the price in sensitivity due to the fact that smaller pixels capture less light. For example, the ST-9E with its large 20 x 20 micron pixels captures five times as much light as the ST-7E and ST-8E's 9 micron square pixels. For this reason we provide 2x2 or 3x3 binning of pixels on most SBIG cameras. With the ST-7 and ST-8, for instance, the cameras may be configured for 18 or 27-micron square pixels. Binning is selected using the Camera Setup Command. It is referred to as resolution (High =  $9\mu^2$  pixels, Medium =  $18\mu^2$  pixels, Low =  $27\mu^2$  pixels). When binning is selected the electronic charge from groups of 2x2 or 3x3 pixels is electronically summed in the CCD before readout. This process adds no noise and may be particularly useful on the ST-10E with its very small 6.8 micron pixels. Binning should be used if you find that your stellar images have a halfwidth of more than 3 pixels. If you do not bin, you are wasting sensitivity without benefit. Binning also shortens the download time.

The halfwidth of a stellar image can be determined using the crosshairs mode. Find the peak value of a relatively bright star image and then find the pixels on either side of the peak where the value drops to 50% of the peak value (taking the background into account, if the star is not too bright). The difference between these pixel values gives the stellar halfwidth. Sometimes you need to interpolate if the halfwidth is not a discrete number of pixels.

Another important consideration is the field of view of the camera. For comparison, the diagonal measurement of a frame of 35mm film is approximately 43mm, whereas the diagonal dimension of the ST-7E chip is approximately 8 mm. The relative CCD sizes for all of the SBIG cameras and their corresponding field of view in an 8" f/10 telescope are given below:

Camera	Array Dimensions	Diagonal	Field of View at 8" f/10
Tracking CCD	2.64 x 2.64 mm	3.73 mm	4.5 x 4.5 arcminutes
ST-5C	3.20 x 2.40 mm	4.00 mm	5.6 x 4.2 arcminutes
ST-237	4.74 x 3.55 mm	5.92 mm	8.2 x 6.1 arcminutes
STV	4.74 x 2.96 mm	5.58 mm	8.2 x 5.1 arcminutes
ST-6	8.63 x 6.53 mm	10.8 mm	14.6 x 11 arcminutes
ST-7E	6.89 x 4.59 mm	8.28 mm	11.9 x 7.9 arcminutes
ST-8E	13.8 x 9.18 mm	16.6 mm	23.8 x 15.8 arcminutes
ST-9E	10.2 x 10.2 mm	14.4 mm	17.6 x 17.6 arcminutes
ST-10E	14.9 x 10.0 mm	17.9 mm	25.1 x 16.9 arcminutes
ST-1001E	24.6 x 24.6 mm	34.8 mm	41.5 x 41.5 arcminutes
35mm	36 x 24 mm	43 mm	62 x 42 arcminutes

*Table 2.2 - CCD Array Dimensions*

### 2.4.6. Guiding

Any time you are taking exposures longer than several seconds, whether you are using a film camera or a CCD camera, the telescope needs to be guided to prevent streaking. While modern telescope drives are excellent with PEC or PPEC, they will not produce streak-free images without adjustment every 30 to 60 seconds. The ST-7E, ST-8E, ST-9E and ST-10E allow simultaneous guiding and imaging, called self-guiding (US Patent 5,525,793). This is possible because of the unique design employing 2 CCDs. One CCD guides the telescope while the other takes the image. This resolves the conflicting requirements of short exposures for guiding accuracy and long exposures for dim objects to be met, something that is impossible with single CCD cameras. Up to now the user either had to set up a separate guider or use

## Section 2 - Introduction to CCD Cameras

Track and Accumulate to co-add several shorter images. The dual CCD design allows the guiding CCD access to the large aperture of the main telescope without the inconvenience of off-axis radial guiders. Not only are guide stars easily found, but the problems of differential deflection between guide scope and main scope eliminated. Due to the large size of the imaging CCD in the ST-1001E, however, a second CCD for tracking cannot be used. For this model camera we recommend the STV autoguider.

Track and Accumulate is another SBIG patented process (US #5,365,269) whereby short exposures are taken and added together with appropriate image shifts to align the images. It is supported by the ST-7E, ST-8E, ST-9E, ST-10E and ST-1001E camera software, but will generally not produce as good as results as self guiding, where the corrections are more frequent and the accumulated readout noise less. It is handy when no connection to the telescope drive is possible and also works best on cameras with larger pixels like the ST-1001E. For cameras with smaller pixels such as the ST-7, ST-8 and ST-10E, SBIG is proud to make self-guiding available to the amateur, making those long exposures required by the small pixel geometry easy to achieve!

### 2.5. Electronic Imaging

Electronic images resemble photographic images in many ways. Photographic images are made up of many small particles or grains of photo sensitive compounds which change color or become a darker shade of gray when exposed to light. Electronic images are made up of many small pixels which are displayed on your computer screen to form an image. Each pixel is displayed as a shade of gray, or in some cases a color, corresponding to a number which is produced by the electronics and photo sensitive nature of the CCD camera. However, electronic images differ from photographic images in several important aspects. In their most basic form, electronic images are simply groups of numbers arranged in a computer file in a particular format. This makes electronic images particularly well suited for handling and manipulation in the same fashion as any other computer file.

An important aspect of electronic imaging is that the results are available immediately. Once the data from the camera is received by the computer, the resulting image may be displayed on the screen at once. While Polaroid cameras also produce immediate results, serious astrophotography ordinarily requires hypersensitized or cooled film, a good quality camera, and good darkroom work to produce satisfying results. The time lag between exposure of the film and production of the print is usually measured in days. With electronic imaging, the time between exposure of the chip and production of the image is usually measured in seconds.

Another very important aspect of electronic imaging is that the resulting data are uniquely suited to manipulation by a computer to bring out specific details of interest to the observer. In addition to the software provided with the camera, there are a number of commercial programs available which will process and enhance electronic images. Images may be made to look sharper, smoother, darker, lighter, etc. Brightness, contrast, size, and many other aspects of the image may be adjusted in real time while viewing the results on the computer screen. Two images may be inverted and electronically "blinked" to compare for differences, such as a new supernova, or a collection of images can be made into a large mosaic. Advanced techniques such as maximum entropy processing will bring out otherwise hidden detail.



## Section 2 - Introduction to CCD Cameras

Of course, once the image is stored on a computer disk, it may be transferred to another computer just like any other data file. You can copy it or send it via modem to a friend, upload it to your favorite bulletin board or online service, or store it away for processing and analysis at some later date.

We have found that an easy way to obtain a hard copy of your electronic image is to photograph it directly from the computer screen. You may also send your image on a floppy disk to a photo lab which has digital photo processing equipment for a professional print of your file. Make sure the lab can handle the file format you will send them. Printing the image on a printer connected to your computer is also possible depending on your software/printer configuration. There are a number of software programs available, which will print from your screen. However, we have found that without specialized and expensive equipment, printing images on a dot matrix or laser printer yields less than satisfactory detail. However, if the purpose is simply to make a record or catalog the image file for easy identification, a dot matrix or laser printer should be fine. Inkjet printers are getting very good, though.

### 2.6. Black and White vs. Color

The first and most obvious appearance of a CCD image is that it is produced in shades of gray, rather than color. The CCD chip used in SBIG cameras itself does not discriminate color and the pixel values that the electronics read out to a digital file are only numbers proportional to the number of electrons produced when photons of any wavelength happen to strike its sensitive layers.

Of course, there are color video cameras, and a number of novel techniques have been developed to make the CCD chip "see" color. The most common way implemented on commercial cameras is to partition the pixels into groups of three, one pixel in each triplet "seeing" only red, green or blue light. The results can be displayed in color. The overall image will suffer a reduction in resolution on account of the process. A newer and more complicated approach in video cameras has been to place three CCD chips in the camera and split the incoming light into three beams. The images from each of the three chips, in red, green and blue light is combined to form a color image. Resolution is maintained. For normal video modes, where there is usually plenty of light and individual exposures are measured in small fractions of a second, these techniques work quite well. However, for astronomical work, exposures are usually measured in seconds or minutes. Light is usually scarce. Sensitivity and resolution are at a premium. The most efficient way of imaging under these conditions is to utilize all of the pixels, collecting as many photons of any wavelength, as much of the time as possible.

In order to produce color images in astronomy, the most common technique is to take three images of the same object using a special set of filters and then recombine the images electronically to produce a color composite or RGB color image. SBIG offers as an option a motorized color filter wheel. The accessory is inserted between the telescope and the CCD head. An object is then exposed using a red filter. The wheel is commanded to insert the green filter in place, and another image taken. Finally a blue image is taken. When all three images have been saved, they may be merged into a single color image using SBIG or third party color software.



## **Section 3 - At the Telescope with a CCD Camera**

### **3. At the Telescope with a CCD Camera**

This section describes what goes on the first time you take your CCD camera out to the telescope. You should read this section throughout before working at the telescope. It will help familiarize you with the overall procedure that is followed without drowning you in the details. It is recommended you first try operating the camera in comfortable, well lit surroundings to learn its operation.

#### **3.1. Step by Step with a CCD Camera**

In the following sections we will go through the steps of setting up and using your CCD camera. The first step is attaching the camera to the telescope. The next step is powering up the camera and establishing a communication link to your computer. Then you will want to focus the system, find an object and take an image. Once you have your light image with a dark frame subtracted, you can display the image and process the results to your liking. Each of these steps is discussed in more detail below.

#### **3.2. Attaching the Camera to the Telescope**

ST-7E, ST-8E, ST-9E, ST-10E and ST-1001E cameras are similar in configuration. The CCD head attaches to the telescope by slipping it into the eyepiece holder or attaching it via t-threads. A fifteen-foot cable runs from the head to the host computer's parallel port. The camera is powered by a desktop power supply. Operation from a car battery is possible using the optional 12V power supply or with a 12V to 110V power inverter.

Connect the CCD head to the parallel port of your computer using the supplied cable and insert the CCD Camera's nosepiece into your telescope's eyepiece holder. Fully seat the camera against the end of the draw tube so that once focus has been achieved you can swap out and replace the camera without having to refocus. Orient the camera so that the CCD's axes are aligned in Right Ascension and Declination. Use Figure 3.1 below showing the back of the optical head as a guide for the preferred orientation. Any orientation will work, but it is aggravating trying to center objects when the telescope axes don't line up fairly well with the CCD axes.

Next, connect the power cable and plug in the desktop power supply. The red LED on the rear of the camera should glow and the fan should spin indicating power has been applied to the unit. We recommend draping the cables over the finderscope, saddle or mount to minimize cable perturbations of the telescope, and guard against the camera falling out of the drawtube to the floor. We also recommend using the T-Ring attachments for connecting the camera to the telescope, as the cameras are heavy.

### Section 3 - At the Telescope with a CCD Camera

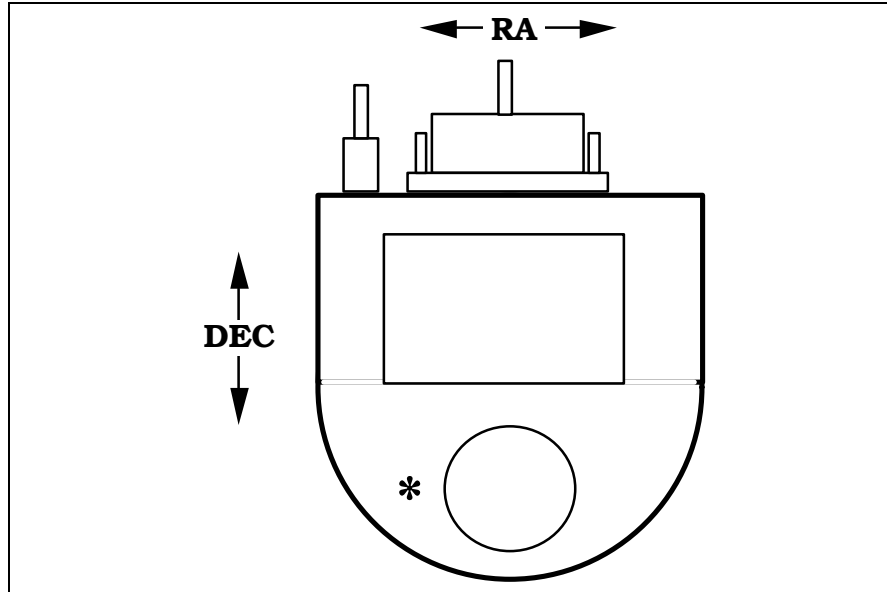


Figure 3.1 Orientation of the Optical Head Viewed from Back.

(Pixel 1,1 is at the upper left in this view)

#### 3.3. Establishing a Communications Link

When the CCDOPS program is initiated it will automatically attempt to establish a link to the camera. This involves identifying the type of CCD head. If the software is successful the "Link" field in the Status Window is updated to show the type of camera found. If the camera is not connected, powered up, or the LPT port setting has not yet been properly set, a message will be displayed indicating that the software failed to establish a link to the camera. If this happens, use the Communications Setup command in the Misc menu to configure the CCDOPS software for the LPT port you are using. Then use the Establish COM Link command in the Camera Menu to establish communications with the camera.

Note: *It is not necessary to have a camera connected to your computer to run the software and display images already saved onto disk. It is only necessary to have a camera connected when you take new images.*

Once the COM link has been established you may need to set the camera's setpoint temperature in the Camera Setup command. The ST-7E, ST-8E, ST-9E, ST-10E and ST-1001E power up regulating to whatever temperature the CCD is at, which in this case will be the ambient temperature. Use the Camera Setup command and choose a setpoint temperature approximately 30°C below the ambient temperature. Type in the setpoint, set the temperature control to active, and hit ENTER.

#### 3.4. Focusing the CCD Camera

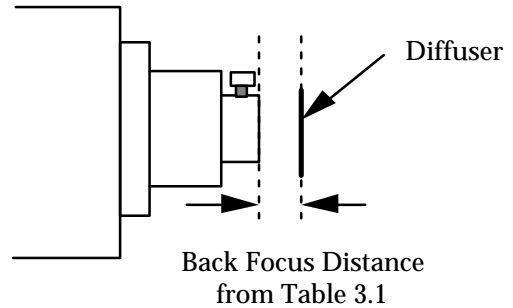
Focusing a CCD camera can be a tedious operation, so a few hints should be followed. Before using the software to focus the camera the first time you should place a diffuser (such as scotch tape or ground glass) at the approximate location of the CCD's sensitive surface behind the eyepiece tube and focus the telescope on the moon, a bright planet or a distant street lamp.

### Section 3 - At the Telescope with a CCD Camera

This preliminary step will save you much time in initially finding focus. The approximate distance behind the eyepiece tube for each of our CCD cameras is listed in Table 3.1 below:

Camera	Distance
ST-5C	~0.66 inch
ST-237/A/STV	~0.68 inch
ST-6	~0.56 inch
ST-7E/8E/9E/ST-10E	~0.92 inch
ST-1001E	~0.68 inch

Table 3.1 - Camera Back Focus



To achieve fine focus, insert the CCD head into the eyepiece tube, taking care to seat it, and then enter the CCDOPS FOCUS mode. The Focus command automatically displays successive images on the screen as well as the peak brightness value of the brightest object in the field of view. Point the telescope at a bright star. Center the star image in the CCD, and adjust the focus until the star image is as small as can be discerned. Next, move the telescope to a field of fainter stars that are dimmer so the CCD is not saturated. Further adjust the focus to maximize the displayed star brightness in counts and minimize the star diameter. This can be tedious. It helps considerably if a pointer or marker is affixed to the focus knob so you can rapidly return to the best focus once you've gone through it.

An exposure of 1 to 3 seconds is recommended to smooth out some of the atmospheric effects. While you can use the Full frame mode to focus, the frame rate or screen update rate can be increased significantly by using Planet mode. In Planet mode the Focus command takes a full image and then lets you position a variable sized rectangle around the star. On subsequent images the Planet mode only digitizes, downloads, and displays the small area you selected. The increase in frame rate is roughly proportional to the decrease in frame size, assuming you are using a short exposure.

The telescope focus is best achieved by maximizing the peak value of the star image. You should be careful to move to a dimmer star if the peak brightness causes saturation. The saturation levels of the various resolution modes are shown in Table 3.2 below. Another point you should also be aware of is that as you approach a good focus, the peak reading can vary by 30% or so. This is due to the fact that as the star image gets small, where an appreciable percentage of the light is confined to a single pixel, shifting the image a half a pixel reduces the peak brightness as the star's image is split between the two pixels. The Kodak CCD pixels are so small that this is not likely to be a problem.

Resolution	Saturation Counts
High Res	~20,000 for ST-7E/8E ABG Cameras, ~40,000 for ST-7E/8E Non ABG cameras, ~50,000 for ST-10E Camera ~65,000 for ST-9E/1001E Cameras
Med/Low Res	~65,000 for ST-7E/8E/9E/10E/1001E

Table 3.2 - Saturation Values

Once the best focus is found, the focusing operation can be greatly shortened the second time by removing the CCD head, being careful not to touch the focus knob. Insert a high power

## Section 3 - At the Telescope with a CCD Camera

eyepiece and slide it back and forth to find the best visual focus, and then scribe the outside of the eyepiece barrel. The next time the CCD is used the eyepiece should be first inserted into the tube to the scribe mark, and the telescope visually focused and centered on the object. At  $f/6$  the depth of focus is only 0.005 inch, so focus is critical. An adapter may be necessary to allow the eyepiece to be held at the proper focus position. SBIG sells extenders for this purpose.

### 3.5. Finding and Centering the Object

Once best focus is achieved, we suggest using "Dim" mode to help center objects. This mode gives a full field of view, but reduces resolution in order to increase the sensitivity, and digitization and download rate. If you have difficulty finding an object after obtaining good focus, check to be sure that the head is seated at best focus, then remove the head and insert a medium or low power eyepiece. Being careful not to adjust the focus knob on the telescope, slide the eyepiece in or out until the image appears in good focus. Then visually find and center the object, if it is visible to the eye. If not, use your setting circles carefully. Then, re-insert the CCD head and use FOCUS mode with an exposure time of about ten seconds, if it is dim. Center the object using the telescope hand controls.

Note: *With a 10 second exposure, objects like M51 or the ring nebula are easily detected with modest amateur telescopes. The cores of most galactic NGC objects can also be seen.*

### 3.6. Taking an Image

Take a CCD image of the object by selecting the Grab command and setting the exposure time. Start out with the Image size set to full and Auto Display and Auto contrast enabled. The camera will expose the CCD for the correct time, and digitize and download the image. One can also take a dark frame immediately before the light image using the Grab command.

Because the ST-7E/ST-8E/ST-9E have regulated temperature control, you may prefer to take and save separate dark images, building up a library at different temperatures and exposure times, and reusing them on successive nights. At the start it's probably easiest to just take the dark frames when you are taking the image. Later, as you get a feel for the types of exposures and setpoint temperatures you use, you may wish to build this library of dark frames.

### 3.7. Displaying the Image

The image can be displayed on the computer screen using the graphics capability of your PC. Auto contrast can be selected and the software will pick background and range values which are usually good for a broad range of images or the background and range values can be optimized manually to bring out the features of interest.

The image can also be displayed as a negative image, or can be displayed with smoothing to reduce the graininess. Once displayed, the image can be analyzed using crosshairs, or can be cropped or zoomed to suit your tastes.

## Section 3 - At the Telescope with a CCD Camera

### 3.8. Processing the Image

If not done already, images can be improved by subtracting off a dark frame of equal exposure. You will typically do this as part of the Grab command although it can also be done manually using the Dark Subtract command. By subtracting the dark frame, pixels which have higher dark current than the average, i.e., "hot" pixels, are greatly suppressed and the displayed image appears much smoother. Visibility of faint detail is greatly improved.

The CCDOPS program also supports the use of flat field frames to correct for vignetting and pixel to pixel variations, as well as a host of other image processing commands in the Utility menu. You can smooth or sharpen the image, flip it to match the orientation of published images for comparison, or remove hot or cold pixels.

### 3.9. Advanced Capabilities

The following sections describe some of the advanced features of SBIG cameras. While you may not use these features the first night, they are available and a brief description of them is in order for your future reference.

#### 3.9.1. Crosshairs Mode (Photometry and Astrometry)

Using the crosshair mode<sup>3</sup> enables examination of images on a pixel by pixel basis for such measurements as Stellar and Diffuse Magnitude, and measurement of stellar positions. The 16 bit accuracy of SBIG systems produces beautiful low-noise images and allows very accurate brightness measurements to be made. With appropriate filters stellar temperature can be measured.

In the crosshair mode, you move a small cross shaped crosshair around in the image using the keyboard or the mouse. As you position the crosshair, the software displays the pixel value beneath the crosshair and the X and Y coordinates of the crosshair. Also shown is the average pixel value for a box of pixels centered on the crosshair. You can change the size of the averaging box from 3x3 to 31x31 pixels to collect all the energy from a star.

#### 3.9.2. Sub-Frame Readout in Focus

The Focus command offers several frame modes for flexibility and increased frame throughput. As previously discussed, the Full frame mode shows the entire field of view of the CCD with the highest resolution, digitizing and displaying all pixels.

The "Dim" mode offers the same field of view but offers higher frame rates by reducing the image's resolution prior to downloading. The resolution is reduced by combining a neighboring block of pixels into a "super pixel". This reduces the download and display times proportionately, as well as improving sensitivity. It is great for finding and centering objects.

The Planet mode is suggested if high spatial resolution is desired for small objects like planets. The Planet mode allows you to select a small sub-area of the entire CCD for image acquisition. The highest resolution is maintained but you don't have to waste time digitizing and processing pixels that you don't need. Again, the image throughput increase is proportional to the reduction in frame size. It can be entered from Auto mode.

---

<sup>3</sup> Under DOS the Crosshairs mode is accessed through the Display Image command in the Analysis mode.

## Section 3 - At the Telescope with a CCD Camera

Another aspect of the Focus command and its various modes is the Camera Resolution<sup>4</sup> setting in the Camera Setup command. Briefly, the Resolution setting allows trading off image resolution (pixel size) and image capture time while field of view is preserved. High resolution with smaller pixels takes longer to digitize and download than Low resolution with larger pixels. The cameras support High, Medium, Low and Auto resolution modes. The Auto mode is optimized for the Focus command. It automatically switches between Low resolution for Full frame mode to provide fast image acquisition, and High resolution for Planet mode to achieve critical focus. While Auto resolution is selected all images acquired using the GRAB command will be high resolution.

### 3.9.3. Track and Accumulate

An automatic Track and Accumulate mode (SBIG patented) is available in CCDOPS which simplifies image acquisition for the typical amateur with an accurate modern drive. These drives, employing PEC or PPEC technology and accurate gears, only need adjustment every 30 to 120 seconds. With Track and Accumulate the software takes multiple exposures and automatically co-registers and co-adds them. The individual exposures are short enough such that drive errors are not objectionable and the accumulated image has enough integrated exposure to yield a good signal to noise ratio.

Operationally the camera will take an exposure, determine the position of a preselected star, co-register and co-add the image to the previous image, and then start the cycle over again. Up to 64 images can be co-added, and the software even allows making telescope corrections between images to keep the object positioned in the field of view. The resulting exposure is almost as good as a single long exposure, depending on the exposure used and sky conditions. The great sensitivity of the CCD virtually guarantees that there will be a usable guide star within the imaging CCD's field of view. This feature provides dramatic performance for the amateur, enabling long exposures with minimal setup!

### 3.9.4. Autoguiding and Self Guiding

The CCDOPS software allows the ST-7E, ST-8E, ST-9E, ST-10E and ST-1001E cameras to be used as autoguiders and self-guiders (except the ST-1001E) through the commands in the Track menu. While these systems are not stand-alone like the ST-4, but require a host computer, they can accurately guide long duration astrophotographs and CCD images with equal accuracy. Their sensitivity is much greater than an ST-4, and the video display easier to use.

When functioning as an autoguider, the CCD camera repeatedly takes images of a guide star, measures the star's position to a fraction of a pixel accuracy, and corrects the telescope's position through the hand controller. While autoguiding alleviates the user of the tedious task of staring through an eyepiece for hours at a time, it is by no means a cure to telescope drive performance. All the things that were important for good manually guided exposures still exist, including a good polar alignment, rigid tubes that are free of flexure and a fairly good stable mount and drive corrector. Remember that the function of an auto guider is to correct for the small drive errors and long term drift, not to slew the telescope.

---

<sup>4</sup> The Resolution setting in the Camera Setup command combines pixels before they are digitized. This is referred to as on-chip binning and offers increases in frame digitization rates.



## **Section 3 - At the Telescope with a CCD Camera**

One of the reasons that SBIG autoguiders are often better than human guiders is that, rather than just stabbing the hand controller to bump the guide star back to the reticule, it gives a precise correction that is the duration necessary to move the guide star right back to its intended position. It knows how much correction is necessary for a given guiding error through the Calibrate Track command. The Calibrate Track command, which is used prior to autoguiding, exercises the telescope's drive corrector in each of the four directions, measuring the displacement of a calibration star after each move. Knowing the displacement and the duration of each calibration move calibrates the drive's correction speed. Once that is known, the CCD tracker gives the drive corrector precise inputs to correct for any guiding error.

When self guiding is selected by invoking the Self Guiding command under the Track Menu, the computer prompts the user for the exposure time for the tracking and imaging CCDs. Once these are entered, the computer takes and displays an image with the tracking CCD, and the user selects a guide star using the mouse. Guide stars that are bright, but not saturating, and isolated from other stars are preferred. Once the star is selected, the computer starts guiding the telescope. When the telescope corrections settle down (usually once the backlash is all taken up in the declination drive) the user starts the exposure by striking the space bar. The computer then integrates for the prescribed time while guiding the telescope, and downloads the image for display.

A calibration star should be chosen that is relatively bright and isolated. The calibration software can get confused if another star of comparable brightness moves onto the tracking CCD during a move. The unit will self guide on much fainter stars. Tests at SBIG indicate that the probability of finding a usable guide star on the tracking CCD is about 95% at F/6.3, in regions of the sky away from the Milky Way. If a guide star is not found the telescope position should be adjusted, or the camera head rotated by a multiple of 90 degrees to find a guide star. We recommend that the user first try rotating the camera 180 degrees. Rotating the camera will require recalibration of the tracking function.

### **3.9.5. Auto Grab**

The Auto Grab command allows you to take a series of images at a periodic interval and log the images to disk. This can be invaluable for monitoring purposes such as asteroid searches or stellar magnitude measurements. You can even take sub-frame images to save disk space if you don't need the full field of view.

### **3.9.6. Color Imaging**

The field of CCD color imaging is relatively new but expanding rapidly. Since all SBIG cameras are equipped with monochromatic CCDs, discriminating only light intensity, not color, some provision must be made in order to acquire color images. SBIG offers a color filter wheel, the CFW-8, which provides this capability for the ST-7E, ST-8E, ST-9E and ST-10E.

The color filter wheel allows remotely placing interference filters in front of the CCD in order to take multiple images in different color bands. These narrow band images are then combined to form a color image. With the SBIG system, a Red, Green and Blue filter are used to acquire three images of the object. The resulting images are combined to form a tri-color image using CCDOPS, CCDSoftV5 or third party software.

### **Section 3 - At the Telescope with a CCD Camera**

Color imaging places some interesting requirements on the user that bear mentioning. First, many color filters have strong leaks in the infrared (IR) region of the spectrum, a region where CCDs have relatively good response. If the IR light is not filtered out then combining the three images into a color image can give erroneous results. If your Blue filter has a strong IR leak (quite common) then your color images will look Blue. For this reason, SBIG incorporates an IR blocking filter stack with the three color band filters.

Second, since you have narrowed the CCD's wavelength response with the interference filters, longer exposures are required to achieve a similar signal to noise compared to what one would get in a monochrome image with wide spectral response. This is added to the fact that tri-color images require a higher signal to noise overall to produce pleasing images. With black and white images your eye is capable of pulling large area detail out of random noise quite well, whereas with color images your eye seems to get distracted by the color variations in the noisy areas of the image. The moral of the story is that while you can achieve stunning results with CCD color images, it is quite a bit more work.

## Section 4 - Camera Hardware

### 4. Camera Hardware

This section describes the modular components that make up the CCD Camera System and how they fit into the observatory, with all their connections to power and other equipment.

#### 4.1. System Components

The ST-7E, ST-8E, ST-9E, ST-10E and ST-1001E CCD cameras consist of four major components: the CCD Sensors and Preamplifier, the Readout/Clocking Electronics, the Microcontroller, and the power supply. All the electronics are packaged in the optical head in these cameras with an external desktop power supply.

The CCDs, Preamplifier, and Readout Electronics are mounted in the front of the optical head. The optical head interfaces to the telescope through a 1.25 inch (or larger) draw tube, sliding into the telescope's focus mechanism. The placement of the preamplifier and readout electronics close to the CCD is necessary to achieve good noise performance. The Microcontroller is housed in the rear of the Optical Head along with the interface logic to the PC and Telescope.

#### 4.2. Connecting the Power

The desktop power supply is designed to run off wall voltage, and both domestic (110 VAC) and European (220 VAC) versions are available. In the field however, battery operation may be the most logical choice. In that case you need to use the optional 12V power supply or a 12VDC to 110 VAC power inverter.

#### 4.3. Connecting to the Computer

The ST-7E, ST-8E, ST-9E, ST-10E and ST-1001E CCD Cameras are supplied with a 15 foot cable to connect the system to the host computer. The connection is between the camera and the Host Computer's parallel LPT port. The camera will operate properly with up to 50 feet of cable to the computer. The computer's parallel port is easily identified since it is a 25 pin Female D connector.

#### 4.4. Connecting the Relay Port to the Telescope

The ST-7E, ST-8E, ST-9E, ST-10E and ST-1001E camera systems can be used as autoguiders where the telescope's position is periodically corrected for minor variations in the RA and DEC drives. The host software functions as an autoguider in three modes: the Track mode, the SBIG patented Track and Accumulate mode, and the SBIG patented Self Guided mode (except for the ST-1001E).

In the Track mode and Self Guided mode the host software corrects the telescope as often as once every 2 seconds to compensate for drift in the mount and drive system. The host software and the CCD camera operate in tandem to repeatedly take exposures of the designated guide star, calculate its position to a tenth of a pixel accuracy, and then automatically activate the telescope's controller to move the star right back to its intended position. It does this tirelessly to guide long duration astrophotographs.

In the Track and Accumulate mode the software takes a series of images and automatically co-registers and co-adds the images to remove the effects of telescope drift.

## Section 4 - Camera Hardware

Typically you would take ten 1 minute "snapshots" to produce an image that is comparable to a single 10 minute exposure except that no guiding is required. The reason no guiding is required is that with most modern telescope mounts the drift over the relatively short 1 minute interval is small enough to preserve round star images, a feat that even the best telescope mounts will not maintain over the longer ten minute interval. The Track and Accumulate software does allow correction of the telescope position in the interval between snapshots to keep the guide star grossly positioned within the field of view, but it is the precise co-registration of images that accounts for the streakless images.

The host software and the CCD camera control the telescope through the 9-pin Telescope port on the camera. This port provides active low open collector signals to the outside world. By interfacing the camera to the telescope's controller the CPU is able to move the telescope as you would: by effectively closing one of the four switches that slews the telescope.

Note: *You only need to interface the camera's Telescope port to your telescope if you are planning on using the camera system as an autoguider or selfguider, or feel you need to have the Track and Accumulate command make telescope corrections between images because your drive has a large amount of long term drift.*

Some recent model telescopes (like the Celestron Ultima and the Meade LX200) have connectors on the drive controller that interface directly to the camera's TTL level Telescope port. All that's required is a simple cable to attach the 9 pin Telescope port to the telescope's telephone jack type CCD connector. SBIG includes its TIC-78 (Tracking Interface Cable Adapter) for this express purpose although it is easy to modify a standard 6-pin telephone cable for interface to the Telescope port (see Appendix A for specific pin outs, etc.). The TIC-78 plugs into the 9-pin port on the ST-7E/8E/9E/10E/1001E, and a standard phone cable, which we supply, connects the adapter to the telescope drive. Note: phone cables come in a few variations. We use the six-pin cable, and the pin order is reversed left to right relative to the connector from one end to the other. This is identical to what is typically sold at Radio Shack stores as an extension cable.

### 4.4.1 Using Mechanical Relays

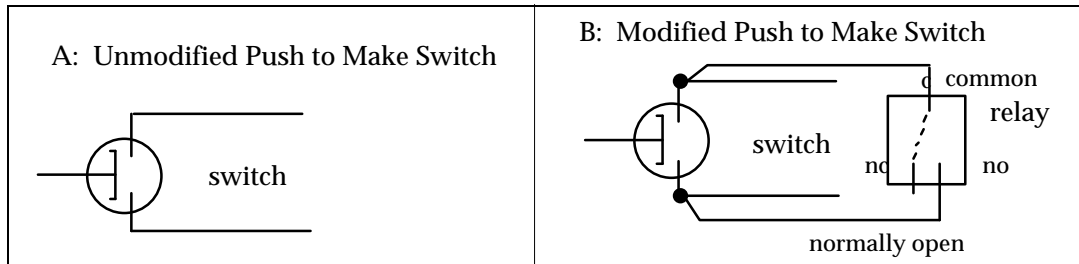
Older telescopes generally require modifying the hand controller to accept input from the camera's Telescope port. The difficulty of this task varies with the drive corrector model and may require adding external relays if your drive corrector will not accept TTL level signals. We maintain a database of instructions for the more popular telescopes that we will gladly share with you. For a minimal charge will also modify your hand controllers if you feel you do not have the skills necessary to accomplish such a task. We sell a mechanical relay box that interfaces to the ST-7E/8E/9E/10E/1001E, and will interface to the older drives. Contact SBIG for more information.

In general, the camera has four signals that are used in tracking applications. There is one output line for each of the four correction directions on the hand controller (North, South, East and West). Our previous cameras had internal relays for the telescope interface, but with the proliferation of TTL input telescopes the relays were removed in the ST-7 and ST-8 (we do offer an external relay adapter accessory). The following paragraphs describe the general-purpose interface to the telescope which involves using external relays.

## Section 4 - Camera Hardware

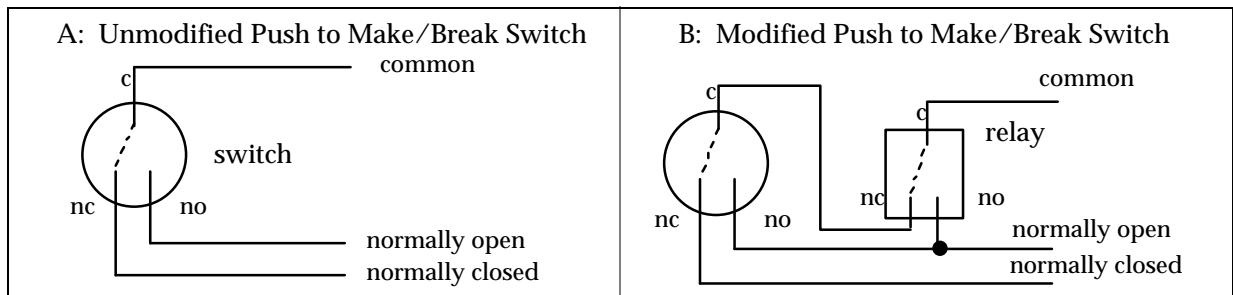
In our older camera models and in the optional relay adapter accessory, each of the relays has a Common, a Normally Open, and a Normally Closed contact. For example, when the relay is inactivated there is a connection between the Common and the Normally Closed contact. When the relay is activated (trying to correct the telescope) the contact is between the Common and the Normally Open contacts.

If your hand controller is from a relatively recent model telescope it probably has four buttons that have a "push to make" configuration. By "push to make" we mean that the switches have two contacts that are shorted together when the button is pressed. If that's the case then it is a simple matter of soldering the Common and Normally Open leads of the appropriate relay to the corresponding switch, without having to cut any traces, as shown in Figure 4.1 below.



*Figure 4.1 - Push to Make Switch Modification*

Another less common type of switch configuration (although it seems to have been used more often in older hand controllers) involve hand controller buttons that use both a push to make contact in conjunction with a push to break contact. The modification required for these switches involves cutting traces or wires in the hand controller. Essentially the relay's Normally Open is wired in parallel with the switch (activating the relay or pushing the hand controller button closes the Normally Open or Push to Make contact) while at the same time the Normally Closed contact is wired in series with the switch (activating the relay or pushing the hand controller button opens the Normally Closed or the Push to Break contact). This type of switch modification is shown in Figure 4.2 below.

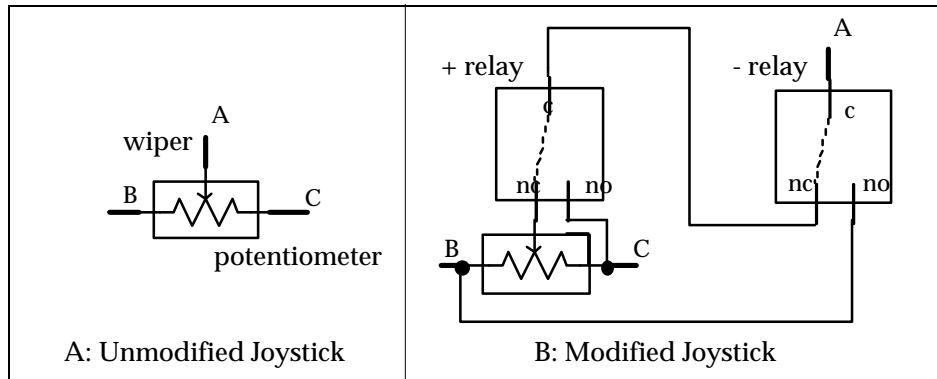


*Figure 4.2- Push to Make/Break Modification*

The last type of hand controller that is moderately common is the resistor joystick. In this joystick each axis of the joystick is connected to a potentiometer or variable resistor. Moving the joystick handle left or right rotates a potentiometer, varying the resistance between a central "wiper" contact and the two ends of a fixed resistor. The relays can be interfaced to the joystick as shown in Figure 4.3 below. Essentially the relays are used to connect the wire that

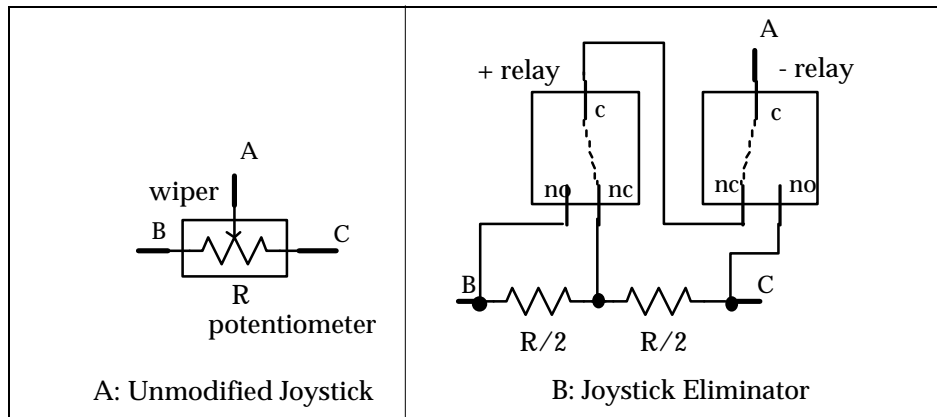
## Section 4 - Camera Hardware

used to attach to the wiper to either end of the potentiometer when the opposing relays are activated.



*Figure 4.3 - Joystick Modification*

A slight variation on the joystick modification is to build a complete joystick eliminator as shown in Figure 4.4 below. The only difference between this and the previous modification is that two fixed resistors per axis are used to simulate the potentiometer at its mid position. You do not need to make modifications to the joystick; you essentially build an unadjustable version. This may be easier than modifying your hand controller if you can trace out the wiring of your joystick to its connector.



*Figure 4.4- Joystick Eliminator*

### 4.5. Modular Family of CCD Cameras

With the introduction of the ST-6 CCD Camera in 1992 SBIG started a line of high quality, low noise, modular CCD cameras. The ST-7E, ST-8E and ST-9E were a second family of modular CCD cameras. The ST-10E and ST-1001E will also allow for upgrades to a faster USB interface when available.

The benefits of a modular line of CCD Cameras are manyfold. Users can buy as much CCD Camera as they need or can afford, with the assurance that they can upgrade to higher performance systems in the future. With a modular approach, camera control software like CCDOPS can easily support all models. This last point assures a wide variety of third party

## Section 4 - Camera Hardware

software. Software developers can produce one package for the many users across the model line instead of different packages for each of the cameras.

While the SBIG cameras have many similarities, there are also important differences between the products. Table 4.2 below highlights the differences from a system's standpoint:

Camera	A/D Resolution	Temperature Regulation	Electromechanical Shutter/Shutter Wheel/Vane	Electronic Shutter
ST-5C	16 bits	Closed Loop	Shutter Wheel	0.01 second
ST-237A	16 bits	Closed Loop	Shutter Wheel	0.01 second
STV	10+2 bits	Closed Loop	Shutter Wheel	0.001 second
ST-6	16 bits	Closed Loop	Vane	0.01 second
ST-7E/8E/9E/10E/1001E	16 bits	Closed Loop	Shutter	None

*Table 4.2 - System Features*

How these features affect the average user are discussed in the paragraphs below:

**A/D Resolution** - This is a rough indication of the camera's dynamic range. Higher precision A/D Converters are able to more finely resolve differences in light levels, or for larger CCDs with greater full well capacities, they are able to handle larger total charges with the same resolution.

**Temperature Regulation** - In an open loop system like the original ST-4 the CCD cooling is either turned on or turned off. While this provides for adequate cooling of the CCD, the CCD's temperature is not regulated which makes it important to take dark frames in close proximity to the associated light frame. Closed loop systems regulate the CCD's temperature to an accuracy of  $\pm 0.1^\circ$  C making dark frames useful over longer periods.

**Electromechanical Vane** - Having the vane in the ST-6 means the host software can effectively "cover the telescope" and take dark frames remotely, without the user having to get up and physically cover the telescope.

**Electromechanical Shutter** - Having the shutter in the ST-7E/8E/9E/10E/1001E gives streak-free readout and allows taking dark frames without having to cover the telescope. While the minimum exposure is 0.11 seconds, repeatability and area uniformity are excellent with SBIG's unique unidirectional shutter.

**Shutter Wheel** - The Shutter Wheel, used in conjunction with the camera's Electronic shutter, allows you to cover the CCD for taking dark frames and in the case of the ST-5C/237/237A allows replacement with a mini internal color filter wheel.

**Electronic Shutter** - Having an electronic shutter involves having a CCD with a frame transfer region. These CCDs actually have an array that has twice the number of rows advertised, where the bottom half is open to the light (referred to as the Image Area), and the top half is covered with a metalization layer (referred to as the Storage Area). In frame transfer CCDs at the end of the exposure, the pixel data from the Image Area is transferred into the Storage Area very rapidly where it can be read out with a minimum of streaking.

In addition to the system level differences between the various cameras, Table 4.3 below quantifies the differences between different CCDs used in the cameras:

## Section 4 - Camera Hardware

Camera	CCD Used	Number of Pixels	Pixel Dims.	Array Dimension	Read Noise	Full Well Capacity
Tracking CCD	TC-211	192 x 164	13.75 x 16 $\mu$	2.6 x 2.6mm	12e <sup>-</sup> rms	150Ke <sup>-</sup>
ST-5C	TC-255	320 x 240	10 x 10 $\mu$	3.2 x 2.4mm	20e <sup>-</sup> rms	50Ke <sup>-</sup>
ST-237A	TC-237	657 x 495	7.4 x 7.4 $\mu$	4.7 x 3.6mm	15e <sup>-</sup> rms	20Ke <sup>-</sup>
STV	TC-237	320 x 200	14.8 x 14.8 $\mu$	4.7 x 3.0mm	17e <sup>-</sup> rms	20Ke <sup>-</sup>
ST-6	TC-241	375 x 242	23 x 27 $\mu$	8.8 x 6.6mm	30e <sup>-</sup> rms	400Ke <sup>-</sup>
ST-7E	KAF0401E	765 x 510	9 x 9 $\mu$	6.9 x 4.6mm	15e <sup>-</sup> rms	50Ke <sup>-</sup> /100Ke <sup>-5</sup>
ST-8E	KAF1602E	1530 x 1020	9 x 9 $\mu$	13.8 x 9.2mm	15e <sup>-</sup> rms	50Ke <sup>-</sup> /100Ke <sup>-4</sup>
ST-9E	KAF0261E	512 x 512	20 x 20 $\mu$	10.2 x 10.2mm	13e <sup>-</sup> rms	180Ke <sup>-</sup>
ST-10E	KAF3200E	2184 x 1472	6.8 x 6.8 $\mu$	14.9 x 10.0mm	11e <sup>-</sup> rms	77Ke <sup>-</sup>
ST-1001E	KAF1001E	1024 x 1024	24 x 24 $\mu$	24.6 x 24.6 mm	16e <sup>-</sup> rms	180Ke <sup>-</sup>

*Table 4.3- CCD Differences*

How these various specifications affect the average user is described in the following paragraphs:

**Number of Pixels** - The number of pixels in the CCD affects the resolution of the final images. The highest resolution device is best but it does not come without cost. Larger CCDs cost more money and drive the system costs up. They are harder to cool, require more memory to store images, take longer to readout, etc. With typical PC and Macintosh computer graphics resolutions, the CCDs used in the SBIG cameras offer a good trade off between cost and resolution, matching the computer's capabilities well.

**Pixel Dimensions** - The size of the individual pixels themselves really plays into the user's selection of the system focal length. Smaller pixels and smaller CCDs require shorter focal length telescopes to give the same field of view that larger CCDs have with longer focal length telescopes. Smaller pixels can give images with higher spatial resolution up to a point. When the pixel dimensions (in arcseconds of field of view) get smaller than roughly half the seeing, decreasing the pixel size is essentially throwing away resolution. Another aspect of small pixels is that they have smaller full well capacities.

For your reference, if you want to determine the field of view for a pixel or entire CCD sensor you can use the following formula:

$$\text{Field of view (arcseconds)} = \frac{8.12 \times \text{size } (\mu\text{m})}{\text{focal length (inches)}}$$

$$\text{Field of view (arcseconds)} = \frac{20.6 \times \text{size (um)}}{\text{focal length (cm)}}$$

where size is the pixel dimension or CCD dimension in millimeters and the focal

---

<sup>5</sup> The Kodak CCDs (KAF0400 and KAF1600) are available with or without Antiblooming Protection. Units with the Antiblooming Protection have one-half the full well capacity of the units without it.



## Section 4 - Camera Hardware

length is the focal length of the telescope or lens. Also remember that  $1^\circ = 3600$  arcseconds.

**Read Noise** - The readout noise of a CCD camera affects the graininess of short exposure images. For example, a CCD camera with a readout noise of 30 electrons will give images of objects producing 100 photoelectrons (very dim!) with a Signal to Noise (S/N) of approximately 3 whereas a perfect camera with no readout noise would give a Signal to Noise of 10. Again, this is only important for short exposures or extremely dim objects. As the exposure is increased you rapidly get into a region where the signal to noise of the final image is due solely to the exposure interval. In the previous example increasing the exposure to 1000 photoelectrons results in a S/N of roughly 20 on the camera with 30 electrons readout noise and a S/N of 30 on the noiseless camera. It is also important to note that with the SBIG CCD cameras the noise due to the sky background will exceed the readout noise in 15 to 60 seconds on the typical amateur telescopes. Even the \$30,000 priced CCD cameras with 10 electrons of readout noise will not produce a better image after a minute of exposure!

**Full Well Capacity** - The full well capacity of the CCD is the number of electrons each pixel can hold before it starts to lose charge or bleed into adjacent pixels. Larger pixels hold more electrons. This gives an indication of the dynamic range the camera is capable of when compared to the readout noise, but for most astronomers this figure of merit is not all that important. You will rarely take images that fill the pixels to the maximum level except for stars in the field of view. Low level nebulosity will almost always be well below saturation. While integrating longer would cause more build up of charge, the signal to noise of images like these is proportional to the square-root of the total number of electrons. To get twice the signal to noise you would have to increase the exposure 4 times. An ST-5C with its relatively low full well capacity of  $50,000e^-$  could produce an image with a S/N in excess of 200!

**Antiblooming** - Most SBIG CCD cameras have antiblooming protection. The TI CCDs used in the ST-5C, ST-237, ST-237A and ST-6 have it built into the CCDs and the Kodak CCDs used in the ST-7E and ST-8E have Antiblooming versions of the CCDs available. Blooming is a phenomenon that occurs when pixels fill up. As charge continues to be generated in a full pixel, it has to go somewhere. In CCDs without antiblooming protection the charge spills into neighboring pixels, causing bright streaks in the image. With the CCDs used in the SBIG cameras the excess charge can be drained off saturated pixels by applying clocking to the CCD during integration. This protection allows overexposures of 100-fold without blooming. The trade off is sensitivity. Antiblooming CCDs are less sensitive than non-antiblooming CCDs. In the case of the ST-7E and ST-8E, for example, the non-antiblooming versions are very roughly twice as sensitive.

The CCDs used in the ST-9E, ST-10E and ST-1001E detectors do not come in an antiblooming version.

From the telescope's point of view, the different models offer differing fields of view for a given focal length, or turned around, to achieve the same field of view the different models require differing focal lengths. Tables 4.4 and 4.5 below compare the fields of view for the cameras at several focal lengths, and vice versa.

## Section 4 - Camera Hardware

Camera	C8, 8" f/10		LX200, 10" f/3 <sup>6</sup>		14" f/11	
	Field of View (arcmins)	Pixel Size (arcsecs)	Field of View (arcmins)	Pixel Size (arcsecs)	Field of View (arcmins)	Pixel Size (arcsecs)
Tracking CCD	4.2x4.2	1.3x1.5	11.7x11.7	3.7x4.3	2.3x2.3	0.7x0.8
ST-5C	5.4x4.1	1.0x1.0	14.4x10.8	2.7x2.7	2.8x2.1	0.5x0.5
ST-237	8.0x6.0	0.75x0.75	21.6x16.2	2.0x2.0	4.0x3.0	0.38x0.38
STV	8.0x5.0	1.5x1.5	21.6x13.5	4.0x4.0	4.0x2.5	0.75x0.75
ST-6	14.6x11.1	2.3x2.7	38.9x29.5	6.2x7.3	7.6x5.7	1.2x1.4
ST-7E	11.9x7.9	0.9x0.9	31.2x20.8	2.4x2.4	6.1x4.1	0.5x0.5
ST-8E	23.8x15.8	0.9x0.9	62.4x41.6	2.4x2.4	12.2x8.2	0.5x0.5
ST-9E	17.6x17.6	2.0x2.0	46.2x46.2	5.3x5.3	9.1x9.1	1.1x1.1
ST-10E	25.1x16.9	0.7x0.7	67.0x45.2	1.8x1.8	13.0x8.8	0.36x0.36
ST-1001E	41.6x41.6	2.4x2.4	111x111	6.5x6.5	21.6x21.6	1.27x1.27

*Table 4.4 - Field of View*

Object	Size	Focal Length to fill Tracking CCD	Focal Length to fill ST-7E
Moon	0.5°	275mm = 11 inches	760mm = 30 inches
Jupiter	40 arcseconds	13000mm = 510 inches	34000mm = 1350 inches
M51-Whirlpool Galaxy	8 x 5 arcminutes	1040mm = 41 inches	3700mm = 145 inches
M27-Dumbell Nebula	8.5 x 5.5 arcminutes	"	"
M57-Ring Nebula	1.3 x 1 arcminutes	6400mm = 250 inches	23000mm = 900 inches

*Table 4.5 - Focal Length Required*

From these numbers you can deduce that the popular C8, an 8" f/10 telescope will nicely frame many popular objects with the ST-7E whereas a much shorter system (f/3, perhaps achieved with a focal reducer) will frame the same objects for the tracking CCD. Another point to bear in mind is that, except for planetary images, you'll rarely take images where the pixel size in seconds of arc is down near the seeing limit. Most objects are relatively large, where the field of view is more important than whether the individual pixels are less than half the seeing.

### 4.6 Connecting the older model CFW-6 filter wheel to the Camera

The SBIG CFW-6 filter wheel can be connected to the camera using the relay port adapter provided with the camera. The adapter plugs into the 9 Pin connector on the

---

<sup>6</sup> f/6.3 with the Meade star digonal focal reducer.

## Section 4 - Camera Hardware

ST-7E/8E/9E/10E head. The phone cable connection connects to the telescope drive to adjust the telescope position when collecting images using Self-Guiding, and the short cable with three wires connects to the CFW-6. The black wire of the three-wire group mates to the brown or black wire of the CFW-6.

### 4.7 Battery Operation

The ST-7E/8E/9E/10E can be operated off of a 12 volt car or marine battery using a the optional 12V power supply or using a power inverter. We have used the Radio Shack model 22-132A, 12 volt DC to 115 volt AC Portable Power Inverter (140 watt) with good success. The camera draws 2.2 amps from the battery with this inverter, which should enable an evening's operation from a single battery. The cooling booster, if used, draws another 2 amps. We recommend a separate battery for the camera; using your vehicle's battery with the engine running may add undesirable readout noise, and using your vehicle's battery without the engine running may result in a long walk home in the dark!

### 4.8 ST-1001E Differences

The ST-7E/8E/9E/10E/1001E all use the same mechanical head. However, in the Model ST-1001E some modifications are made to accommodate the much larger imaging CCD.

*No Tracking CCD:* All of the models mentioned above have a second CCD mounted in the head for tracking except the ST-1001E. For ST-1001E users who need to autoguide during exposures we recommend the STV stand alone autoguider. More information can be obtained about the STV from the SBIG web site at <http://www.sbig.com> or by contacting SBIG directly at the phone number or e-mail address on the cover of this manual.

*AO-7 Compatibility:* Because the AO-7 Adaptive Optics accessory uses the tracking CCD to determine corrections, the AO-7 cannot be used with the ST-1001E.

*CFW8 Filter Wheel Compatibility:* Due to the large imaging CCD and corresponding larger optical path required for the ST-1001E, 1.25" filters such as those used in the CFW8 color filter wheel are too small for this camera. ST-1001E users may contact SBIG for recommendations of third party filters and accessories for photometric work or color imaging.

*Optical Center:* The optical center of the window in the ST-1001E camera is moved slightly towards the center of the camera. ST-1001E users should not rely on the mechanical head drawings for the ST-7/8/9/10E cameras for this measurement. Please consult the SBIG web site or SBIG technical support for this measurement if needed.

*Two-stage Cooling with Optional Three-stage Cooling:* The KAF-1001E CCD is nearly 1" square and requires more cooling capability than smaller CCDs to maintain a similar temperature. For this model camera an internal two-stage cooling system is standard. This requires a larger capacity power supply than the ST-7E/8E/9E/10E. In addition, the ST-1001E may be ordered with or retrofitted with the same optional Cooling Booster with water assist that is used on the other cameras giving three-stage cooling, if conditions require.

*12VDC Operation:* The ST-1001E comes only with a 110VAC switching power supply that provides the correct voltages and current capacity required by the camera. An inverter should be used to operate from a 12VDC source such as a marine deep cycle battery.



## Section 5 - Advanced Imaging Techniques

### 5. Advanced Imaging Techniques

With practice, you will certainly develop methods of your own to get the most from your CCD camera. In this section we offer some suggestions to save you time getting started in each of the different areas outlined below, but these suggestions are by no means exhaustive.

#### 5.1. Lunar and Planetary Imaging

When imaging the moon using most focal lengths available in astronomical telescopes, you will note that the moon's image typically fills the CCD. The image is also very bright. The best way to image the moon is to use neutral density filters to attenuate the light.

You may also try an aperture mask to reduce the incoming light. If you feel that an aperture mask reduces resolution to an unacceptable degree, consider using a full aperture solar filter. This will result in an optimum exposure of only a few seconds. Another way to reduce the incoming light is to increase the effective focal length of your telescope by using a barlow lens or eyepiece projection. This is very desirable for planetary imaging since it also increases the image size.

#### 5.2. Deep Sky Imaging

Ordinarily, with telescopes of 8" aperture or larger, a ten second exposure in focus mode, with a dark frame subtracted, will show most common deep sky objects except for the very faintest. This is a good starting point for finding and centering deep sky objects. If you find ten seconds to be insufficient, a one minute exposure will clearly show nearly any object you wish to image, particularly if 2x2 or 3x3 binning is selected. Using the Grab command, exposures of five minutes will generally give you a clear image with good detail. Of course, longer exposures are possible and desirable, depending on your telescope's tracking ability or your desire to guide. Once you have determined the longest exposure possible with your particular drive error, try Track and Accumulate exposures of a duration less than your measurable error. We have found that exposures of thirty seconds to two minutes are best depending on the focal length of telescope one is using. With the self guiding feature of the ST-7E/8E/9E/10E one can take long integrations while the internal tracking CCD guides the telescope.

We highly recommend that you initially pursue deep sky imaging with a fast telescope, or focal reducer to produce a final F number of F/6.3 or faster at the CCD. The sensitivity advantage is considerable!

#### 5.3. Terrestrial Imaging

An optional accessory for the SBIG cameras is the camera lens adapter. These accessories are made to accommodate most popular camera models. You may attach a camera lens in place of your telescope and use the CCD camera for very wide angle images of the night sky or for terrestrial views in daylight. Begin with a tenth second exposure at f/16 for scenes at normal room light and adjust as necessary for your conditions.

#### 5.4. Taking a Good Flat Field

If you find that flat field corrections are necessary due to vignetting effects, CCD sensitivity variations, or for more accurate measurements of star magnitudes, try either taking an image of

## Section 5 - Advanced Imaging Techniques

the twilight sky near the horizon or take an image of a blank wall or neutral grey card. The Kodak CCDs may have a low contrast grid pattern visible in the sky background. A flat field will eliminate this.

Finding areas of the sky devoid of stars is very difficult after twilight. Therefore, you should take flat field images of the night sky after sunset, but long before you can see any stars. If this is not possible, take an image of a featureless wall or card held in front of the telescope. However, if using this second method, be sure that the wall or card is evenly illuminated. Appendix D describes how to do this. You will know if the flat field is good if the sky background in your images has little variation across the frame after flat fielding, displayed using high contrast (a range of 256 counts is good for showing this).

If you plan on flat fielding Track and Accumulate images you should also refer to section 6.8. Since the same flat field is added to itself a number of times, be sure that you do not saturate the flat field image by starting with pixel values too high. Typically try to keep the pixel values between 10% to 20% of saturation for this purpose. For single flat field images, try to keep the values to approximately 50% of saturation.

### 5.5. Building a Library of Dark Frames

The ST-7E/8E/9E/10E/1001E have regulated temperature control, and therefore it is possible to duplicate temperature and exposure conditions on successive nights. You can set the camera TE cooler temperature to a value comfortably within reach on your average night, and then take and save on disk a library of dark frames for later use. This is a good project for a rainy night. We recommend you build a file of 5, 10, 20, 40, and 60 minute dark frames at zero degrees Centigrade for a start. Otherwise you will find yourself wasting a clear night taking hour long dark frames!

**Note:** *Dark frames taken the same night always seem to work better. The adaptive dark subtract will help if the ambient temperature changes slightly.*

### 5.6. Changing the Camera Resolution

The Camera Setup command allows you to select the resolution mode you wish to use for taking and displaying images. The ST-7E/8E/9E/10E/1001E cameras have High, Medium, Low and Auto modes. The High Resolution mode is the best for displaying the greatest detail since it utilizes the maximum number of pixels for your particular camera. The Medium Resolution Mode operates by combining 2x2 pixels giving the same field of view as High Resolution Mode, but with 1/4 the resolution. This results in significantly faster digitization and download times. Also, in Medium Resolution Mode, with larger pixels and comparable readout noise there is a better signal to noise ratio for very dim diffuse objects. This improved signal to noise ratio combined with faster digitization and download times makes Medium Resolution Mode ideal for finding and centering dim objects, and for imaging most objects. Additionally, a Low resolution mode is provided which bins the CCD 3x3 before readout. Low resolution mode is sensational for displaying faint nebulosity with short exposure times. In Auto Resolution Mode, the camera and software will always use High Resolution for all imaging and display functions except when you are in Full Frame Focus Mode. It will then automatically switch to Low Resolution Mode. If you further select Planet Mode for focusing, the camera will switch back to High Resolution on the selected box area. The small pixel size,

## Section 5 - Advanced Imaging Techniques

is best for critical focusing. Planet mode will result in fast digitization and download times since only a small portion of the frame is read out.

In general, you should pick a binning mode that yields stars with two to three pixels full width at half maximum. This is easily measured by using the crosshairs to determine the peak brightness of a relatively bright star, and determining the number of pixels between the 50% values on either side of the peak. More than 3 pixels per stellar halfwidth merely wastes sensitivity without improved resolution.

### 5.7. Flat Fielding Track and Accumulate Images

This section gives the step by step procedure for flat field correcting images taken using the Track and Accumulate command.

Flat field correcting images allow the user to remove the effects of CCD response non-uniformity (typically less than a few percent) and optical vignetting which for some optical systems can be as much as a 50% effect from center to edge. The CCDOPS software allows flat field correcting images using the Flat Field command, but some preparation must be made to use that command with Track and Accumulate images. Essentially you must prepare a special flat field correction image for Track and Accumulate images. This special preparation is necessary to have the same set of alignment and co-addition operations apply to the flat field file that have occurred in acquiring the Track and Accumulate image. In general, the following procedure should be followed when flat field correction of Track and Accumulate images is desired:

1. Take a normal flat field image using the Grab command. You can use the dusk sky or a neutral gray or white card held in front of the telescope. Try to adjust the illumination and/or exposure so that the build up of light in the image yields values that when co-added several times will not overflow 65,000 counts. The number of times the image will need to be co-added without overflowing is set by how many snapshots you intend to use in Track and Accumulate. A good goal is to try and attain a maximum level in the flat field image of 1,000 to 2,000 counts which will allow co-addition 32 times without overflow.

*Note: You will have to take a new flat field image anytime you change the optical configuration of your telescope such as removing and replacing the optical head in the eyepiece holder.*

2. Save the flat field image on your disk using the Save command. In the following discussions this flat field file will be referred to as FLAT.
3. Take your Track and Accumulate image using the Track and Accumulate command and save it on the disk using the Save command. In the following discussions this Track and Accumulate image file will be referred to as IMAGE.
4. Immediately after saving the IMAGE use the Save Track List command on the PC or activate the Track List window on the Mac and use the Save command to save the Track and Accumulate track list. The track list is a file that describes what alignment operations were done to the individual components of IMAGE to achieve the end result. In the following discussions this track list file will be referred to as TRACK.

## Section 5 - Advanced Imaging Techniques

5. Repeat steps 3 and 4 as many times as desired for all the objects you wish to image, each time choosing a set of corresponding new names for the IMAGE and TRACK files.
6. You will now create a combined flat field image for each Track and Accumulate image you captured. Invoke the Add by Track List command. The software will bring up a file directory dialog showing all the track list files. Select the TRACK file corresponding to the image you wish to correct. The software will load the TRACK file and present you with another file directory dialog showing all the images. Select the appropriate FLAT image. The software will align and co-add the FLAT image using the same operations it performed on the Track and Accumulate image. Finally save the combined flat field image using the Save command. In the following discussions this combined flat field image will be referred to as COMBINED-FLAT. Repeat this step for each of the TRACK files using a corresponding name for the COMBINED-FLAT image.
7. You will now flat field correct the Track and Accumulate image with the combined flat field image. Use the Open command to load the IMAGE file, then use the Flat Field command. The software will present you with a file directory dialog where you should select the corresponding COMBINED-FLAT image. After the software has finished correcting the image you can view the results and save the flat field corrected image with the Save command. This image will be referred to as the CORRECTED-IMAGE file. Repeat this step for each of the IMAGE files using the corresponding COMBINED-FLAT image.

At SBIG we have adopted the following naming convention for our various image and related files. If it helps you organize your files please feel free to adopt it or any method you feel helps sort out the process of naming files:

Image type	Name
Uncorrected image (IMAGE)	XXXXXXXX. (blank extension)
Flat field file (FLAT)	FLATXXXX. (blank extension)
Track list file (TRACK)	XXXXXXXX.TRK
Combined flat field (COMBINED-FLAT)	FLATXXXX.C
Flat field corrected image (CORRECTED-IMAGE)	XXXXXXXX.F

### 5.8. Tracking Functions

The CCDOPS software allows your ST-7E/8E/9E/10E/1001E to be used as an autoguider or self-guided (except ST-1001E) imager. It does not function as a stand-alone autoguider like the ST-4, but instead requires using a PC to perform the function. These cameras have considerably better sensitivity than the ST-4.

CCD autoguiders alleviate you from having to stare down the eyepiece for hours at a time while guiding astrophotographs. They are not the end-all, cure-all approach to telescope mechanical problems, though. You still need a good polar alignment and a rigid mount between the guide scope and the main scope or you need to use an off-axis guider, with all its inherent difficulties. A good declination drive, free of backlash, is desirable although not



## Section 5 - Advanced Imaging Techniques

absolutely necessary. Finally, modern drive correctors with periodic error correction (PEC) or permanent periodic error correction (PPEC) will ease the difficulty of achieving good results.

*The moral of the story is don't count on the CCD autoguider to fix all your problems.  
The better the drive, the better results you will obtain.*

Using the CCD as an autoguider requires interfacing the CPU's relay port to your hand controller (as discussed in section 4.4) and then training the CCD system on your telescope. This is done with the Calibrate Track command. Focus your system and then find and center on a moderately bright calibration star (1000 to 20,000 peak counts will do) without any nearby neighboring stars of similar brightness. Then execute Calibration command. It takes a sequence of five images. In the first image it determines the pixel position of the calibration star. In the four subsequent images, the software, in sequence, activates each of the telescope's four correction directions, measuring the displacement of the calibration star. From this calibration information, the software is able to calculate a precise correction when the guide star moves away from its intended position.

At the start, you should pick a calibration star with roughly the same declination as the intended object since the telescope's correction speeds vary with declination. As you get used to the tracking functions you can calibrate on a star near the celestial equator and have the software adjust for different declinations for you.

The tracking functions in CCDOPS are accessed through the Track menu. The Calibrate Track command, as described above, is used to calibrate your telescope's drive corrector. Once that is done, the Track command, which you would use for autoguiding astrophotographs, allows you to select a guide star in the field of view, and then repeatedly takes images, measuring the guide star's position and hence guiding error, and corrects the telescope.

The Track and Accumulate command, discussed in section 3.9.2, also has provisions for making telescope corrections between images. This is necessary only if your drive has a large amount of long term drift, which results in Track and Accumulate images that are reduced in width.

Finally, the Tracking Parameters command allows you to fine tune the CCDOPS tracking performance. You can deactivate the RA or DEC corrections or even deactivate both, a feature that can be used to monitor the uncorrected tracking accuracy of your drive. You can also fine tune the correction speeds if you find the telescope is consistently over or under correcting.



## Section 6 - Accessories for your CCD Camera

### 6. Accessories for your CCD Camera

This section briefly describes the different accessories available for your CCD camera.

#### 6.1. Cooling Booster

The cooling booster, which is included with the ST-9E and ST-10E, is an option for the ST-7E, ST-8E and ST-1001E. It is a small module that gets installed inside the back compartment of the camera. This section tells you how to best use the Cooling Booster.

***Caution: Do not connect the power to the cooling booster unless the main power to the camera has already been connected and the fan is running. The fan is needed to keep the booster's heat sink cool.***

The cooling booster can be used either without the flowing water or with it. We do not recommend using water cooling in the field due to the extra equipment necessary such as water reservoir, pump, hoses and additional power required for the pump. For users who have fixed sites, or small observatories, the extra equipment required is easier to manage. The major problem one must deal with is routing the water tubes off the mount to minimize perturbations to the mount during tracking. In general, try to route tubes (and wires) over the mount, rather than just let the tubes dangle from the end of a long tube. Water-cooling is probably not necessary for most users when the air temperature is below 10 degrees C (50 degrees F), since the dark current is fairly low already. Think of it as a summertime accessory! We do not recommend use of water cooling below freezing temperatures, where antifreeze must be added to the water. It is simply not necessary then. There is no problem with using the cooling booster with only air cooling in the winter, though.

Without flowing water the cooling improvement is about 6 degrees C. With it the cooling improvement is about 15 degrees C. If you plan to use it without the water then you should disconnect the hoses from the camera and shake out the water trapped in the heat sink. Disconnecting the hoses will reduce the potential perturbation to your telescope mount.

To operate the cooling booster without water cooling, mount the camera to the telescope as before and simply plug the auxiliary 12 volt supply jack into the connection on the camera back plate. Turn on the TE cooling to 100% by giving it a target temperature of -50 degrees. After 10 minutes examine the camera temperature, and reset the set point to 3 degrees C above the current temperature. This 3 degree temperature margin will enable the ST-7E/8E/9E to regulate the temperature accurately.

To operate the camera with water cooling, the procedure is the same except that the water flow must be established before mounting the camera to the telescope, since the water pumps have limited pressure capability. To do this, put the camera at the same level as the water reservoir. Connect all the hoses, and make sure the water return goes back into the reservoir. Push the ¼ inch internal diameter (ID) hoses onto the nipples on the back of the camera so they seal. Attach one hose to the nipple onto the reducing connector that adapts the ¼ inch ID hose to the ½ inch diameter hose from the pump.

Turn on the pump, and let the flow establish itself through the hoses. Next, mount the camera to the telescope. If you always keep the return hose outlet near the reservoir level the pump will have no problem raising the water 2 meters (6 feet) off the floor. The limited pressure capacity of the pump is only a problem when you let the water fall back into the

## Section 6 - Accessories for your CCD Camera

reservoir from a significant height above it, such a 0.3 meter (12 inches). Lastly, check for leaks!

When using water cooling, avoid the temptation to put ice in the water to get the camera even colder. As the cooling booster is designed, the camera will not be cooled below ambient temperature if ambient temperature water is used. If colder water is used, the head may fog or frost up, depending on the dew point. . The exposed electronics inside the ST-7/8 will get wet, and corrode. The hoses will start dripping condensation, and you will have a mess. Keep the ice for a cold drink!

At the end of the evening, stop the pump, and raise the outlet hose above the camera to let all the water drain out of the system. Blowing it out with gently pressure helps clear the water. You can leave the hoses full of water, but if a leak occurs while you're not there you may have a problem.

When packing the camera for a long time, or at the end of summer, disconnect the hoses and blow out the heat sink to allow the enclosed spaces to dry out and minimize long term corrosion.

### 6.2. Tri-color Imaging

You can make splendid color images with your CCD camera by using the optional CFW-8 color filter wheel. The CFW-8 attaches to the front of the CCD head and allows you to take images in red, green and blue light of the same object. When these images are aligned and processed a full color image results. (**Note:** *Due to the large size of the imaging CCD in the ST-1001E, the CFW8 will not work with this model camera. A filter wheel with 2" filters is recommended.*)

### 6.3. Camera Lens Adapters and Eyepiece Projection

Camera Lens adapters are available for the ST-7E/8E/9E/10E/1001E. The camera lens adapter allows you to mount your camera lens in place of the telescope for very wide field views of the night sky or for daytime terrestrial imaging. The adapters are available for a variety of the most common camera lenses in use.

The cameras themselves can be used for eyepiece projection assuming you already have a T-thread eyepiece projection adapter for. Instead of attaching a 35mm camera to the T-thread camera adapter you can attach the CCD camera by unscrewing the T-Thread nosepiece from the front of the camera.

### 6.4. Focal Reducers

Several third party vendors, including Optec, Celestron and Meade, make focal reducers for their telescopes that could be used with the ST-7E/8E/9E/10E cameras. While most will work with the ST-7 some may have slight amounts of vignetting when used on the larger ST-8E/9E/10E. As of this writing we have not tested any focal reducers with the ST-1001E

**Note:** *Many very fast (F/3.3) commercial units will not accommodate a filter wheel.*

## **Section 6 - Accessories for your CCD Camera**

### **6.5. AO-7 and Lucy-Richardson Software**

The AO-7 is the world's only Adaptive Optics accessory for the amateur CCD market and it works only with the self guided feature of the ST-7E/8E/9E/10E. The AO-7 is essentially an electromechanical driven diagonal mirror that goes between the camera and the telescope. Using the AO-7 allows corrections to be made at rates up to 40 Hz. This yields perfect, backlash-free guiding and allows removal of some atmospheric effects. When used in conjunction with the CCDSharp software stellar peak brightness can double and stellar half-widths can shrink by 25%.

### **6.6. SGS - Self-Guided Spectrograph**

The SGS Self Guided Spectrograph takes the tedium out of spectroscopy by allowing you to image and guide the source on the tracking CCD while acquiring its spectra on the imaging CCD. No more hunting around to place the object on the slit! With the SGS you can measure galactic redshifts, stellar classifications and determine nebular constituency. This is another example of the value of a self-guided camera like the ST-7E/8E/9E/10E.

### **6.7. Third Party Products and Services**

There are numerous third party products and services available directed to the CCD user. We mention a few to give you an idea of the ever increasing interest in this new technology. Scanning through the pages of Sky & Telescope, CCD Astronomy, or Astronomy magazine reveals many third-party vendors of CCD accessories and software.

#### **6.7.1. Windows Software**

If you are a user interested in using Windows software with your camera, SBIG has CCDOPS for Windows. In addition, after January 2001, all SBIG cameras will include CCDSoftV5 which is a joint software development of SBIG and Software Bisque. There are also several other commercial Windows programs available which include a stellar database, telescope control for computerized telescopes like the Meade LX200, and CCD camera functions in an integrated package.

#### **6.7.2. Image Processing Software**

There are a host of image processing software packages capable of reading and processing TIFF files and new packages are being developed which will read and process SBIG image formats as well. In addition to commercial software, on-line services like CompuServe and GENie have many public domain and shareware programs available through their Astronomy interest groups.

#### **6.7.3. Getting Hardcopy**

One older way of producing a hard copy of images taken with the CCD camera is to simply take a photograph of the computer screen while the image is displayed. It is best to use a long lens and step back from the monitor to reduce the appearance of the curvature of the edges of

## **Section 6 - Accessories for your CCD Camera**

the screen, and use an exposure longer than 1/30th of a second to avoid the video refresh rate of your monitor. Darken the room, and use a brighter background than is visually optimum.

For the best quality hard copy, save the files in TIFF format and send a copy of the file on a disk to a photo lab which offers printing of digital images. The Windows version of CCDOPS allows for printing of the images, and there are a number of third party software programs for the PC such as Pizzaz Plus which will capture and print the display on your computer screen. These programs, however, do not produce very detailed prints and are useful only to a very limited degree. Recently, photo quality color desktop printers have become commonplace. Many of these printers will do a reasonable job with commercial image processing programs such as Adobe Photoshop.

### **6.8 SBIG Technical Support**

If you have any unanswered questions about the operation of your CCD camera system or have suggestions on how to improve it please don't fail to contact us. We appreciate all your comments and suggestions. Additionally if you are interested in writing software supporting SBIG cameras, we offer technical support regarding our file formats found in Appendix B, and Technical Notes regarding the camera command protocol which we will make available upon request.

## Section 8 - Glossary

### 7. Common Problems

This section discusses some of the more common problems others have encountered while using our CCD cameras. You should check here if you experience difficulties, and if your problem still persists please contact us to see if we can work it out together.

**Achieving Good Focus** - Achieving a good focus is one of the most difficult areas in working with CCD cameras due to the lack of real time feedback when focusing. Focus can take a good deal of time, and as with all forms of imaging, focus is critical to getting the most out of your camera.

Once you have achieved a good focus with your system, it can be very useful for future observing sessions to scribe an eyepiece or mark down or log positions of each component so the next time you will at least be close to focus at the start.

If you know where the focal plane lies for your telescope, you can use Table 3.1 to calculate exactly where the CCD is with respect to your system. By placing the CCD close to the focal plane initially, you can save a lot of time.

The best kind of object to focus on is a star. As you converge towards focus, more light from the star will be concentrated onto one pixel. Thus, watching your peak reading while focusing and focusing for a maximum reading is a good way to get best focus. This is how we do it. It helps to have a dial or indicator on the focus knob so you can rapidly return to the best point after going through focus.

**Elongated Guided Images** - When using Track and Accumulate or Self Guiding, if you notice guiding errors resulting in elongated star images, you are probably using too long a snapshot time. If the snapshot time is longer than the amount of time your drive can track unguided with acceptable guiding errors, you will see elongated stars in your final images. If your snapshot times are getting down to 30 seconds or less you should improve your drive.

If you are using your camera as an autoguider for film photography and are noticing unacceptable guiding errors, please check the following before calling SBIG:

1. Can you move the telescope using the Move command? This is an indicator as to whether or not you are properly connected to your drive system via the relay cable from the CPU.
2. Be sure that your calibration time gives at least 10 to 50 pixels of movement for each step of the Calibrate Track command.
3. Check for flexure between the CCD camera head and your system. Check for flexure between the guide scope or off-axis guider and your telescope system. This is a very common source of guiding errors. A very small movement of the CCD head with respect to the guide scope during an exposure can cause unacceptable streaking.
4. If your mount is stable, try longer exposure times while tracking to average out the atmospheric effects.

**Finding Objects** - The size of the CCD used in the ST-7 (roughly 8mm diagonal) can make finding objects a little difficult. If you experience this problem you might try the following suggestions.

## Section 8 - Glossary

The easiest method of finding objects is to use a reticule eyepiece, if the object is bright enough to see. Pull the CCD optical head from the eyepiece holder and insert a 12-20mm eyepiece, focussing the eyepiece by sliding it in and out of the eyepiece holder, not by adjusting the telescope's focus mechanism. Center the object carefully (to within 10% of the total field) and then replace the CCD optical head. Since the head was fully seated against the eyepiece holder when you started, fully seating it upon replacement will assure the same focus.

If the object is too dim to see visually you will have to rely on your setting circles. Go to a nearby star or object that is easily visible and center that object in the CCD image. Calibrate your RA setting circle on the known object's RA and note any DEC errors. Reposition the telescope at the intended object, using the correct RA setting and the same DEC offset noted with the calibration object. Try a ten second or one minute exposure and hopefully you will have winged the object. If not you will have to hunt around for the object. You can use the Focus mode in Low resolution mode for this and hopefully you won't have to search too far. Check in DEC first, as DEC setting circles are often smaller and less accurate.

**Telescope Port doesn't Move Telescope** - If you find the camera is not moving the telescope for Tracking, Track and Accumulate or Self Guiding you should use the Move Telescope command with a several second period to isolate the problem down to a specific direction or directions. If you set the Camera Resolution to the Low mode in the Camera Setup Command, you can move the telescope and Grab an image fairly quickly to detect movement of the telescope pointed at a moderately bright star. Try each of the four directions and see which ones move and which ones don't. At this point the most likely culprit is the hand controller modification. Trace the signals from the camera's telescope connector back through the hand controller, paying particular attention to the offending wires.

**Can't Reach Low Setpoint Temperatures** - If you find that the camera isn't getting as cold as expected the problem is probably increased ambient temperatures. While these cameras have temperature regulation, they still can only cool a fixed amount below the ambient temperature (30 to 40 °C). Lowering the ambient temperature allows the cameras to achieve lower setpoint temperatures.

**CCD Frosts** - If your camera starts to frost after a year of use it's time to regenerate the desiccant as described in Appendix C. This is a simple matter of unscrewing the desiccant container and baking it (without the little O-ring) in an oven at 350°F for 4 hours.

**No Image is Displayed** - Try the Auto Contrast setting or use the crosshairs to examine the image pixel values and pick appropriate values for the Background and Range parameters.

**Horizontal Faint Light Streaks in Image** - some PCs apparently have the mouse generate non-maskable interrupts when moved. These interrupts can slightly brighten the line being read out. If this occurs, do not move the mouse during read out.

**A/D Timeout or Other Errors** - Some computers require that you configure the parallel port for "Standard" mode instead of "ECP" or "EPP" mode. These two enhanced modes can cause A/D Timeout and other parallel errors. Refer to your computer manual for how to use the BIOS Setup utility to configure your parallel port.



## Section 8 - Glossary

### 8. Glossary

**Antiblooming Gate** - When a CCD pixel has reached its full well capacity, electrons can effectively spill over into an adjoining pixel. This is referred to as blooming. Kodak CCDs with the antiblooming option can be used to help stop or at least reduce blooming when the brighter parts of the image saturate.

**Astrometry** - Astrometry is the study of stellar positions with respect to a given coordinate system.

**Autoguider** - All SBIG CCD cameras have auto guiding or "Star Tracker" functions. This is accomplished by using the telescope drive motors to force a guide star to stay precisely centered on a single pixel of the CCD array. The camera has four relays to control the drive corrector system of the telescope. The CCD camera head is installed at the guide scope or off axis guider in place of a guiding eyepiece.

**CCD** - The CCD (Charged Coupled Device) is a flat, two dimensional array of very small light detectors referred to as pixels. Each pixel acts like a bucket for electrons. The electrons are created by photons (light) absorbed in the pixel. During an exposure, each pixel fills up with electrons in proportion to the amount of light entering the pixel. After the exposure is complete, the electron charge buildup in each pixel is measured. When a pixel is displayed at the computer screen, its displayed brightness is proportional to the number of electrons that had accumulated in the pixel during the exposure.

**Dark Frame** - The user will need to routinely create image files called Dark Frames. A Dark Frame is an image taken completely in the dark. The shutter covers the CCD. Dark Frames are subtracted from normal exposures (light frames) to eliminate fixed pattern and dark current noise from the image. Dark Frames must be of the same integration time and temperature as the light frame being processed.

**Dark Noise** - Dark Noise or Dark Current is the result of thermally generated electrons building up in the CCD pixels during an exposure. The number of electrons due to Dark Noise is related to just two parameters; integration time and temperature of the CCD. The longer the integration time, the greater the dark current buildup. Conversely, the lower the operating temperature, the lower the dark current. This is why the CCD is cooled for long integration times. Dark noise is a mostly repeatable noise source, therefore it can be subtracted from the image by taking a "Dark Frame" exposure and subtracting it from the light image. This can usually be done with very little loss of dynamic range.

**Double Correlated Sampling** - Double Correlated Sampling (DCS) is employed to lower the digitization errors due to residual charge in the readout capacitors. This results in lower readout noise.

**False Color** - False Color images are images that have had colors assigned to different intensities instead of gray levels.

**FITS Image File Format** - The FITS image file format (which stands for Flexible Image Transport System) is a common format supported by professional astronomical image processing programs such as IRAF and PC Vista. CCDOPS can save image files in this format but can not read them..

## Section 8 - Glossary

**Flat Field** - A Flat Field is a image with a uniform distribution of light entering the telescope. An image taken this way is called a flat field image and is used with CCDOPS to correct images for vignetting.

**Focal Reducer** - A Focal Reducer reduces the effective focal length of an optical system. It consists of a lens mounted in a cell and is usually placed in front of an eyepiece or camera. With the relatively small size of CCDs compared to film, focal reducers are often used in CCD imaging.

**Frame Transfer CCDs** - Frame Transfer CCDs are CCDs that have a metal mask over some portion (usually half) of the pixel array. The unmasked portion is used to collect the image. After the exposure is complete, the CCD can very quickly shift the image from the unmasked portion of the CCD to the masked portion, thus protecting the image from light which may still be impinging on the CCD. This acts as an electronic shutter.

**Full Well Capacity** - Full Well Capacity refers to the maximum number of electrons a CCD pixel can hold. This number is usually directly proportional to the area of the pixel.

**Histogram** - The Histogram is a table of the number of pixels having a given intensity for each of the possible pixel locations of the image file. Remember that, in the end, the image file is nothing more than a list of pixel values, one for each CCD pixel. These value numbers can be displayed in two formats; as a table or plotted as a graph.

**Light Frame** - The Light Frame is the image of an object before a Dark Frame has been subtracted.

**Path/Filter** - For PC users the Path setting tells CCDOPS which directory and disk drive to find and store the image files. In essence, it defines the current directory. The filter controls which image files are shown in the Open directory. Only files that match the filter are shown. For example, a filter setting of "\*.ST6" will only show files that have an "ST6" extension.

**Photometry** - Photometry is the study of stellar magnitudes at a given wavelength or bandpass.

**Pixel Size** - The smallest resolution element of a CCD camera is the CCD pixel. The pixel sizes for each of the SBIG cameras are as follows:

Camera	Pixel Size (microns)
Tracking CCD	13.75 x 16
ST-5C	10 x 10
ST-237/237A	7.4 x 7.4
STV	14.8 x 14.8
ST-6	23 x 27 <sup>7</sup>
ST-7E/ST-8E	9 x 9
ST-9E	20 x 20
ST-10E	6.8 x 6.8
ST-1001E	24 x 24

---

<sup>7</sup> The TC241 CCD used in the ST-6 actually has 11.5 x 27 micron pixels. The CPU combines two 11.5 micron pixels to make the 23 micron pixel. This gives pixel with a more square aspect ratio.

## Section 8 - Glossary

**Planet Mode** - Planet Mode is the most useful way to achieve focus. When you select Planet mode, a full frame is exposed, downloaded, and displayed on the computer monitor. A small window can be placed anywhere in the image area and the size of the window can be changed. Subsequent downloads will be of the area inside the box resulting in a much faster update rate.

**Quantum Efficiency** - Quantum Efficiency refers to the fractional number of electrons formed in the CCD pixel for a given number of photons. Quantum Efficiency is usually plotted as a function of wavelength.

**Readout Noise** - Readout noise is associated with errors generated by the actual interrogation and readout of each of the CCD pixels at the end of an exposure. This is the result of fixed pattern noise in the CCD, residual charge in the readout capacitors and to a small extent the noise from the A/D converter and preamplifier.

**Resolution Mode** - The resolution of a CCD camera is determined by pixel size. Pixel size can be increased by combining or binning more than one pixel and displaying it as one pixel. Doing so decreases the effective resolution but speeds up the download time of the image. Maximum resolution is determined by the size of the individual CCD pixel. The ST-7E/8E/9E can run in High, Medium, Low and Auto resolution modes.

**Response Factor** - Response Factor is a multiplier used by CCDOPS to calibrate CCDOPS to a given telescope for photometric calculations. The Response Factor multiplied by 6700 is the number of photoelectrons generated in the CCD for a 0th magnitude star per second per square inch of aperture.

**Saturation** - Saturation refers to the full well capacity of a CCD pixel as well as the maximum counts available in the A/D converter. The pixel is saturated when the number of electrons accumulated in the pixel reaches its full well capacity. The A/D is saturated when the input voltage exceeds the maximum. The saturation values for the various cameras are shown in the table below.

Camera	Full Well Capacity	Maximum A/D Counts	Electrons per A/D count <sup>8</sup>
ST-5C	50,000 e-	65,535	1.25
ST-237	20,000 e-	4,095	3.4
ST-237A	20,000 e-	65,535	0.7
ST-6	400,000 e-	65,535	6.7
ST-7E/ST-8E <sup>9</sup> ABG High Res	50,000 e-	20,000	2.3
ST-7E/ST-8E Med/Low Res	100,000 e-	65,535	2.3
ST-7E/8E/9E/10E Tracking CCD	150,000 e-	65,535	1.3
ST-9E	180,000 e-	65,535	2.8
ST-10E	77,000 e-	65,535	1.5
ST-1001E	180,000e-	65,535	2.8

<sup>8</sup> The e<sup>-</sup>/Count shown are for the High Resolution readout mode. These numbers can be different for other readout modes. Use the Parameters command in the Display menu to see the actual value for images acquired in other readout modes.

<sup>9</sup> The non-ABG versions of the ST-7E/8E have twice the full well capacity of the values shown. ABG version may also vary from camera to camera with maximum counts being as high as ~30,000.

## Section 8 - Glossary

**Sky Background** - The sky background illumination or brightness is the number of counts in the image in areas free of stars or nebulosity and is due to city lights and sky glow. High levels of sky background can increase the noise in images just like dark current. For some objects deep sky filters can be used to reduce the sky background level.

**Seeing** - Seeing refers to the steadiness and the clarity of the atmosphere during an observing session.

**TE Cooler** - The TE Cooler is a Thermal Electric cooling device used to cool the CCD down to operating temperature. The CCD is mounted to the TE Cooler which is mounted to a heat sink, usually the camera head housing.

**TIFF Image File Format** - The TIFF image file format (which stands for Tagged Interchange File Format) was developed jointly by Microsoft and Aldus Corporations to allow easy interchange of graphics images between programs in areas such as presentation and desktop publishing. CCDOPS can save image files in this format but it can not read them.

**Track and Accumulate** - The Track and Accumulate function is a SBIG patented feature of CCDOPS that allows the user to automatically co-register and co-add (including dark frame subtraction) a series of images of an object. These exposures can be taken unguided as long as the "Snapshot time" does not exceed the length of time before tracking errors of your clock drive become apparent. This allows you to image and track without guiding or the need to connect the CCD Relay port to your drive motors.

**Track List** - The Track List is an ASCII file generated by CCDOPS during a Track and Accumulate session. The Track List logs all the corrections made by CCDOPS for each of the images. Track lists are required when flat fielding Track and Accumulate images.

**Tri-Color** - Tri-Color refers to color images created using three different colors mixed into a balanced color image using red, green and blue filters. An object is imaged three times, once with each color filter. The three images are then co-added and color balanced with the appropriate software.

**Vignetting** - Vignetting is obstruction of the light paths by parts of the instrument. It results in an uneven illumination of the image plane. The effects of vignetting can be corrected using flat field images.

## Appendix A - Connector Pinouts

### A. Appendix A - Connector and Cables

This appendix describes the various connectors and cables used with the ST-7E/8E/9E/10E/1001E.

#### A.1. Appendix A - Connector Pinouts

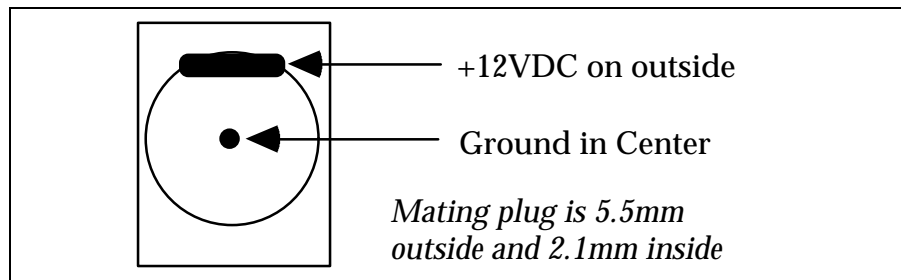
Tables A1 and A2 below show the pin-outs of the Telescope and Power connectors on the ST-7E/8E/9E.

Pin Number	Function
1	Chassis Ground
2	CFW-8 Pulse/AO-7 Data Out
3	Plus X (Active Low Open Drain) <sup>9</sup>
4	Plus Y (Active Low Open Drain)
5	Signal Ground
6	Minus X (Active Low Open Drain)
7	Minus Y (Active Low Open Drain)
8	+12 Volts Out (100mA max)
9	+5 Volts Out (300 mA max)
Shell	Chassis Ground

**Table A1** Telescope Connector

Pin Number	Function
6, Shell	Earth Ground
5	DC Ground
4	-12V DC, 100mA
3	No contact
2	+12V DC, 500mA
1	+5V DC, 2A

**Table A2** Power Connector



**Figure A1** - Cooling Booster DC Power Jack

#### A.2. SBIG Tracking Interface Cable (TIC-78)

Many of the newer telescopes have a phone-jack connector on the drive corrector for connecting directly to the ST-7E/8E/9E/10E/1001E Camera's Telescope Port. These include

<sup>9</sup> The Open Drain outputs can sink 100 mA maximum

## Appendix A - Connector Pinouts

the Celestron Ultima, Losmandy CG11 and Meade LX-200. You can interface these telescopes to the Telescope port with our TIC-78 (Tracking Interface Cable), or you can make your own cable. Figure A1 below shows the pinouts on these telescopes.

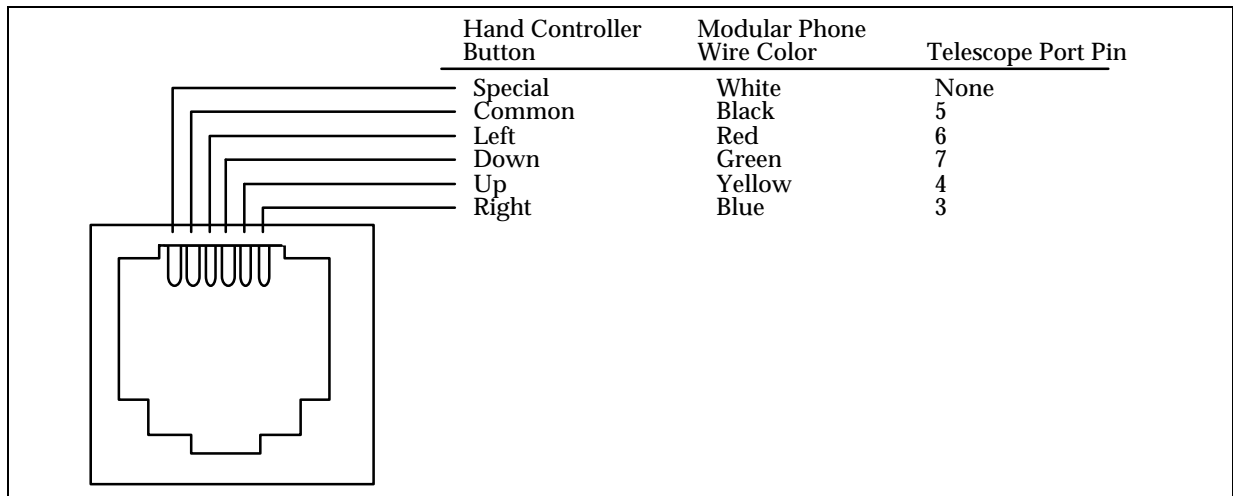


Figure A1 - CCD Connector for TIC Mating

## Appendix B - File Formats

### B. Appendix C - Maintenance

This appendix describes the maintenance items you should know about with your CCD camera system.

#### B.1. Cleaning the CCD and the Window

The design of SBIG cameras allows for cleaning of the CCD. The optical heads are not evacuated and are quite easy to open and clean. When opening the CCD chamber, one should be very careful not to damage the structures contained inside.

To open the CCD Chamber, remove the six screws that hold the 5 inch front cover in place. Remove the six screws and lift the front cover, exposing the structures inside. There is a rubber O-Ring that sets in the groove on the top of the Chamber housing.

The CCD array is protected by a thin cover glass that can be cleaned with Q-Tips and Isopropyl Alcohol. *Do not get alcohol on the shutter.* Dust on the CCD should be blown off. Use alcohol only if necessary. The optical window of the chamber housing can be cleaned the same way. When reinstalling the chamber housing, be very careful to make sure the O-ring is in the groove when seated.

#### B.2. Regenerating the Desiccant

This section describes the regeneration procedure for the desiccant used in the ST-7E/8E/9E/10E/1001E. The desiccant absorbs moisture in the CCD chamber, lowering the dew point below the operating temperature of the cooled CCD, thus preventing the formation of frost. The desiccant is contained in a small cylindrical plug that screws into the chamber from the rear. In normal operation the useful life of the desiccant is over a year. If the CCD chamber is opened often, the desiccant should be regenerated when frosting is noticed. Follow the procedure below to regenerate the desiccant:

1. Unscrew the brass desiccant container from the rear of the camera and remove the O-ring.
- 2.. Plug the resulting hole by screwing in the supplied bolt or plug 2 or 3 turns. Finger tight is adequate. Don't put a wrench on it.
2. Heat the dessicant container in an oven at 350°F (175 deg C) for 4 hours. The solder used to seal the can melts at 460 degrees F, so be sure to stay at least 50 degrees below this number. Preheating the oven to avoid hot spots is advised.
3. Replace the desiccant container into the rear of the camera, being careful to reinstall the O-ring and insure that it does not get pinched.
4. Expect the camera to take an hour or two to reach the frost free state. If it does seem to frost and you need to capture images, reduce your cooling to the zero degree C range - the CCD dark current will still be quite low.





## Appendix C - Capturing a Good Flat Field

### C. Appendix C - Capturing a Good Flat Field

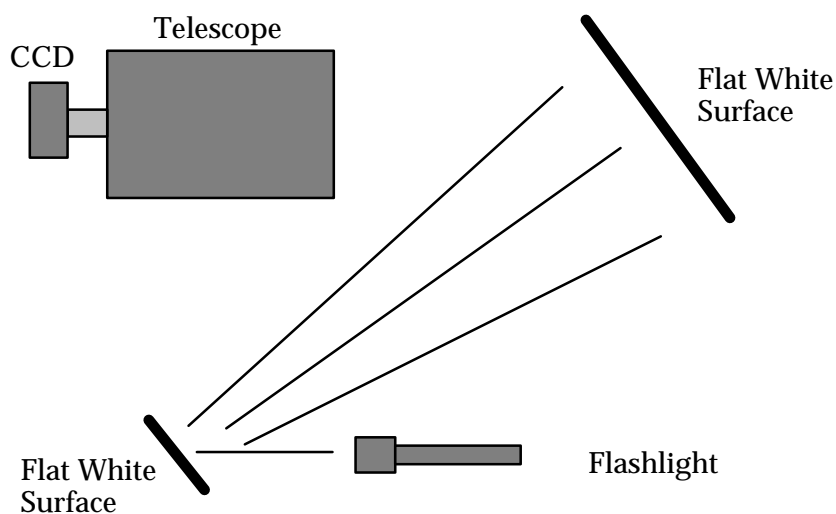
This appendix describes how to take a good flat field. A good flat field is essential for displaying features little brighter than the sky background. The flat field corrects for pixel non-uniformity, vignetting, dust spots (affectionately called dust doughnuts), and stray light variations. If the flat field is not good it usually shows up as a variation in sky brightness from one side of the frame to the other.

#### C.1. Technique

The first consideration in capturing a flat field is to use the telescope-CCD combination in exactly the configuration used to collect the image. This means you probably have to capture the flat field at the telescope. Do not rotate the head between image and flat field, since the vignetting is usually slightly off center. Do not be tempted to build a little LED into the telescope or camera for doing flat fields; it doesn't work at all. The dust debris shadows would be different!

Arrange a light source such as a flashlight, two white cards, the telescope and CCD as shown in Figure D-1.

**Figure D-1: Flat Field Geometry**



The key aspects of this geometry are that the reflection off two diffuse surfaces is used, and the large flat surface is square to the illumination from the small flat surface. When we do this, the first flat surface is typically a white T-shirt worn by the operator! Take care that no apparent shadows are cast onto the larger flat white surface. Use an exposure at the camera that yields an average light level equal to about half of full scale.



## Index

- A/D converter, 8, 27
- accessories, 41
- adaptive optics, 40
- antiblooming, 29, 45
- Antiblooming Gate (def), 45
- AO-7, 40
- astrometric measurements, 45
- Astrometry (def), 45
- astrophotography, 12
- atmospheric effects, 17
- auto contrast, 18
- Auto Grab Command, 21
- autoguider, 8, 20, 23, 36, 45
- Autoguider (def), 45
- background parameter, 18
- battery operation, 15, 23
- binning, 10
- Calibrate Track Command, 21, 37
- calibration star, 37
- camera lens adapter, 33, 40
- Camera Setup Commands, 20
- CCD, 7, 11
  - (def), 45
  - cameras, 5, 6, 8, 15, 23, 26, 27, 28
  - cleaning, 51, 53
  - detector, 5, 7, 23
  - orientation, 15
- CCDCOLOR software, 21
- CCDOPS software, 8
- centering objects, 18
- cleaning the CCD, 51, 53
- clock drivers, 8
- co-add images, 5, 20, 23
- cold pixels, 19
- color filter wheel, 21, 40
- color images, 13, 21
- color table, 45
- commands
  - Auto Grab, 21
  - Calibrate Track, 21, 37
  - Dark Subtract, 19
  - Focus, 17, 19
  - Grab, 18, 33
  - Track, 37
  - Track and Accumulate, 20, 33, 37
  - Tracking Parameters, 37
- Commands
  - Establish COM Link, 16
  - PC Setup, 16
- communications link, 16
- connector
  - Telescope, 49
- connector (CPU)
  - RELAYS, 23, 37
- cooling, 8, 48
- co-register images, 20, 23
- crop, 18
- crosshairs, 18
- dark current, 8
- dark frame, 8, 9, 15, 18
- Dark Frame (def), 45
- Dark Noise (def), 45
- Dark Subtract Command, 19
- dark subtracted, 9, 15, 18
- DCS, 9, 45
- Declination, 15, 23, 37, 44
- desiccant, 51
- Diffuse Magnitude, 19
- diffuser, 16
- Dim mode, 19
- displaying images, 18
- double correlated sampling, 9
- Double Correlated Sampling (def), 45
- drive corrector, 20
- electromechanical shutter, 27
- electromechanical vane, 27
- electronic images, 12
- electronic shutter, 27
- Establish COM Link Command, 16
- eyepiece, 17, 18
- eyepiece holder, 15
- eyepiece projection, 40
- eyepiece tube, 17
- False Color (def), 45
- field of view, 11, 28, 29, 37
- film, 5, 10, 11
- film grain, 10
- filter wheel, 13
- filters, 13, 19, 21, 40
- finding objects, 18
- fine focus, 17
- FITS format (def), 45
- flat field, 10, 19, 34, 35
- Flat Field (def), 46
- flip, 19
- focal length, 30

## Index

- focal reducer, 40
- Focal Reducer (def), 46
- focus
  - Dim mode, 18, 19
  - fine, 17
  - Full frame mode, 17
  - Full Frame mode, 19
  - peak, 17
  - Planet mode, 17, 19, 46
- Focus Command, 17, 19
- focus mode, 17, 19
- Focusing, 16
- Frame Transfer CCDs, 6
- Frame Transfer CCDs (def), 46
- frost, 8
- Full Frame CCDs, 6
- full well capacity, 29
- Full Well Capacity (def), 46
- Grab Command, 18, 33
- graphics, 18
- guiding, 11
- guiding error, 20, 37
- hand controller, 18, 20, 23, 24
- hermetic chamber, 8
- Histogram (def), 46
- host computer, 8, 15, 23
- hot pixels, 19
- IBM PC, 8
- image processing, 8, 12, 18, 41
- interference, ii
- IR blocking filter, 22
- joystick, 25
- joystick modification, 26
- library of dark frames, 18, 34
- light frame, 9, 15, 18
- light frame (def), 46
- Link, 16
- LPT port, 15, 16, 23
- magnitude
  - diffuse, 19
  - stellar, 19
- maintenance, 51, 53
- microcontroller, 8
- modifying hand controller, 24
- moon, 16, 30, 33
- negative image, 18
- nosepiece, 15
- observatory, 23
- optical head, 15, 23
- optical head orientation, 16
- O-ring, 8
- path (def), 46
- path/filter (def), 46
- PC, 8
- PC Setup Command, 16
- PEC drive correctors, 20, 37
- photometric measurements, 46
- Photometry (def), 46
- pixel nonuniformity, 19
- pixel size, 10, 28
- Pixel Size (def), 46
- pixel uniformity, 10
- planet mode, 19
- Planet mode (def), 46
- planets, 5, 16, 30, 33
- POWER connector, 15
- power supply, 8, 15
- power supplyr, 23
- PPEC drive correctors, 20, 37
- preamp, 8, 23
- printing images, 12, 41
- push to make switch modification, 25
- push to make/break switch modification, 25
- Quantum Efficiency (def), 47
- range parameter, 18
- readout
  - electronics, 23
  - noise, 29
  - Noise (def), 47
  - register, 6
- regenerating desiccant, 51
- RELAYS connector, 23, 37
- resolution, 10, 20, 34
- Resolution (def), 47
- Response factor (def), 47
- Right Ascension, 15, 23, 37, 44
- Saturation (def), 47
- scribing the eyepiece, 17
- seeing, 10, 17, 20, 30
- Seeing (def), 48
- self guiding, 23
- separations, 19
- setup, 15
- SGS-Self Guided Spectrograph, 41
- sharpen, 19

## Index

shutter, 8  
signal to noise ratio, 22, 29  
sky background, 5, 20  
smoothing, 19  
snapshot, 23  
software, 26, 41  
spectral range, 5  
spectrograph, 41  
Status Window, 16  
    Link field, 16  
stellar magnitude, 19  
stellar temperature, 19  
super pixel, 19  
taking images, 18  
TE cooler, 8  
TE Cooler, 7  
TE Cooler (def), 48  
Technical Support, 42  
telescope, 10, 15, 18, 20  
Telescope connector, 49  
telescope hand controller, 18, 20, 23, 24  
temperature regulation, 9, 18, 27  
thermistor, 9  
TIC, 49  
TIC-78, 24  
TIFF format (def), 48  
Track and Accumulate (def), 48  
Track and Accumulate Command, 20, 33, 37  
Track and Accumulate mode, 23, 35  
Track Command, 37  
track list, 35  
Track List (def), 48  
track mode, 23  
tracking interface cable (TIC), 24, 49  
Tracking Parameters Command, 37  
Tri-Color (def), 48  
tri-color images, 40  
T-Thread, 40  
vane, 27  
vignetting, 10, 19  
Vignetting (def), 48  
Windows, 41  
zoom, 18